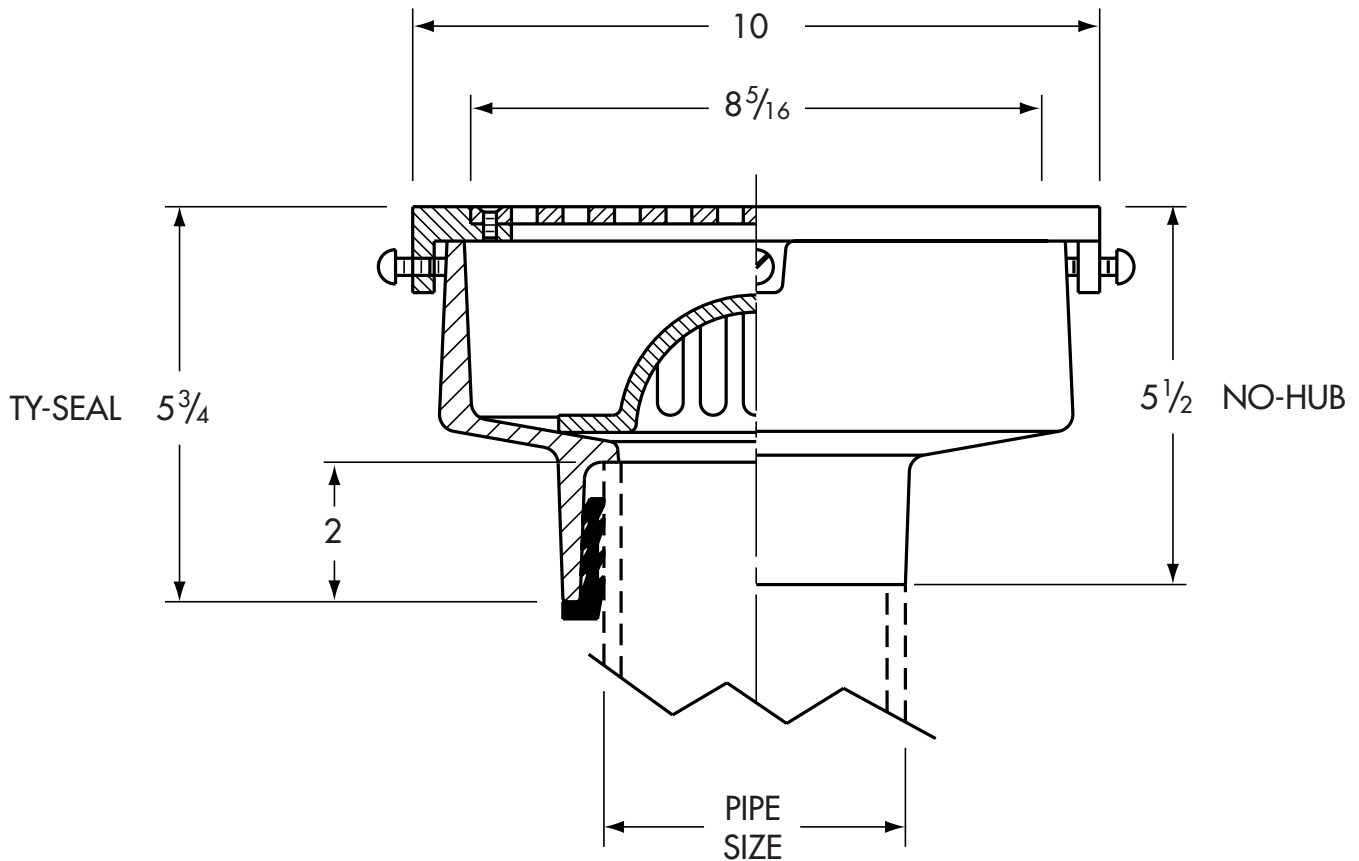


Floor Sinks - Round

WADE

9000 (8x3)

Cast iron 8" round floor sink with 3" sump, A.R.E. interior, aluminum dome strainer and nickel bronze top.



Cat. No.	Pipe Size	ANSI* Top Load Class	Flow Rate (GPM)	Free Area Sq. In.	Wt. Lbs.
<input type="checkbox"/> 9002	2	LD			13
<input type="checkbox"/> 9003	3	LD			13
<input type="checkbox"/> 9004	4	LD			13

* Light Duty - Under 2000 lbs.

OUTLET

- NH... No-Hub
- IC.... Ty-Seal

OPTIONS

Suffix	Description
<input type="checkbox"/> 27	Sediment Bucket