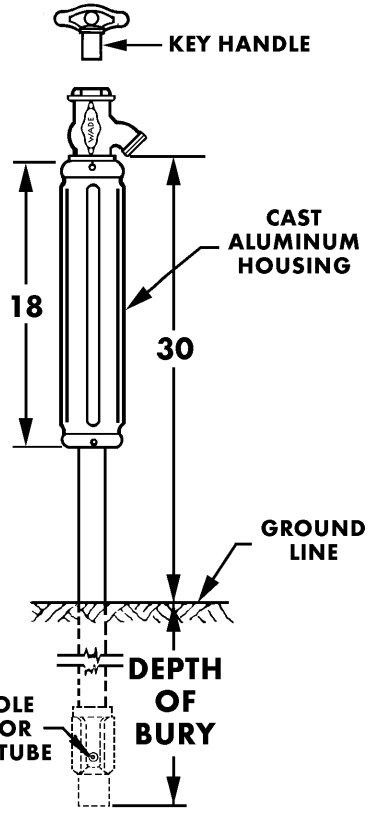
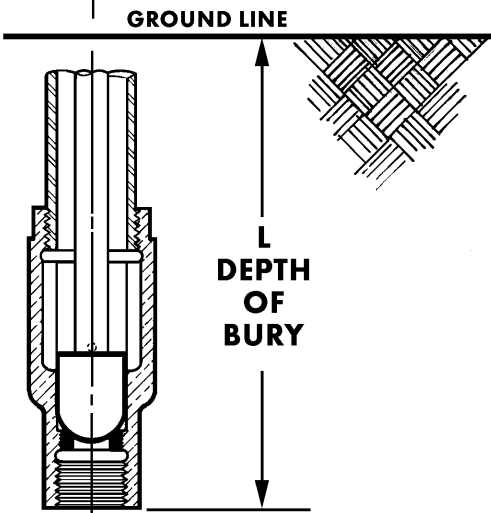
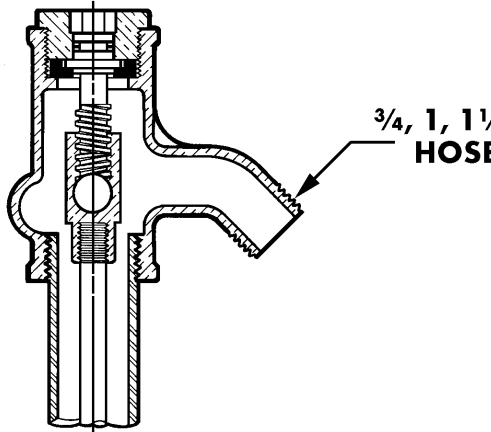
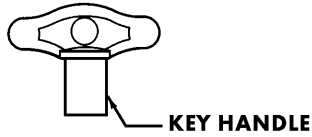


Post Hydrants



8610 Non-freeze post hydrant with cast aluminum protective housing, ($\frac{3}{4}$ " , 1" , $1\frac{1}{4}$ " , $1\frac{1}{2}$ " , 2") connections and bronze casing. Specify depth of bury and inlet size.
Example: For four-foot bury and $1\frac{1}{4}$ " inlet, specify 8610,4FT, $1\frac{1}{4}$ ".



Cat. No.	Depth of Bury, Ft.	SIZE
<input type="checkbox"/> 8610, 2Ft.	2	<input type="checkbox"/> $\frac{3}{4}$ "
<input type="checkbox"/> 8610, 3Ft.	3	<input type="checkbox"/> 1"
<input type="checkbox"/> 8610, 4Ft.	4	<input type="checkbox"/> $1\frac{1}{4}$ "
<input type="checkbox"/> 8610, 5Ft.	5	<input type="checkbox"/> $1\frac{1}{2}$ "
<input type="checkbox"/> 8610, 6Ft.	6	<input type="checkbox"/> 2"