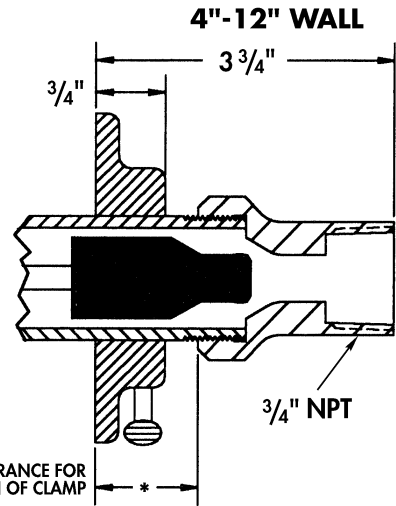


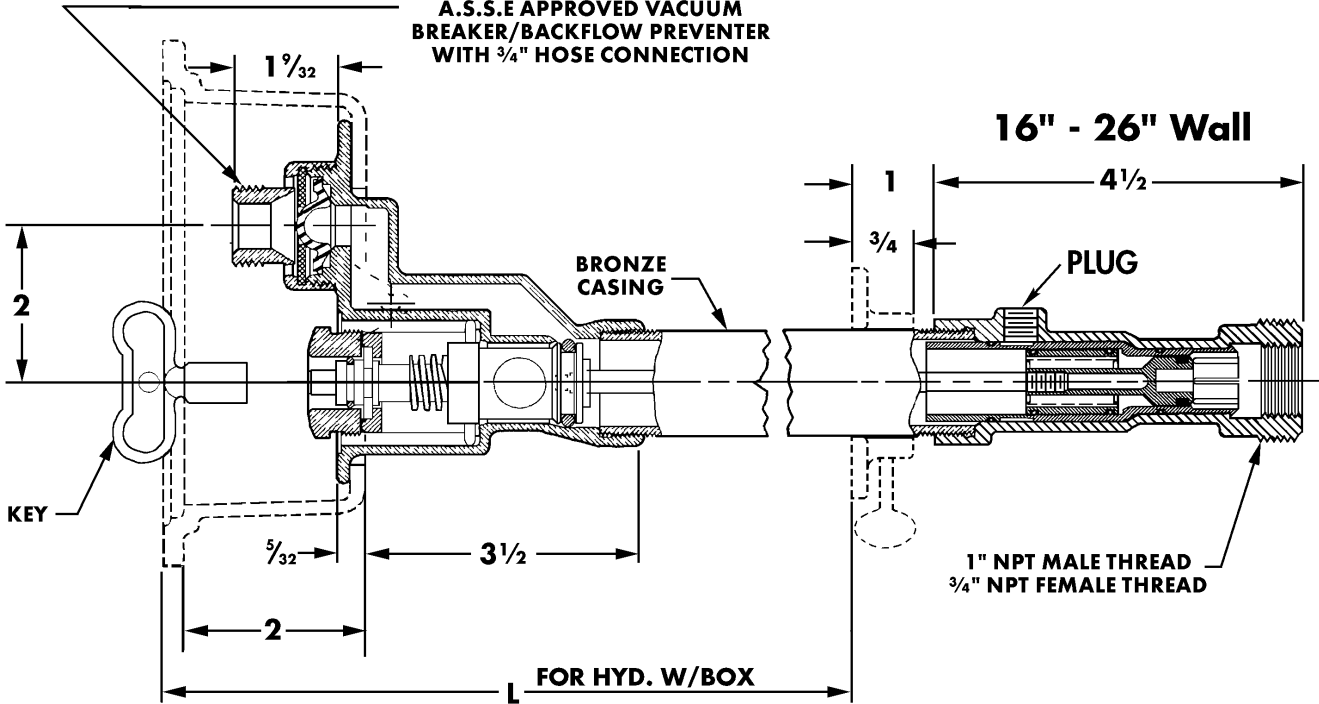
Wall Hydrants w/Box



8600,175 3/4" non-freeze wall hydrant with straight inlet connection, anti-siphon backflow preventer, bronze casing and chrome plated bronze box. Box adds two inches to wall thickness. Specify wall thickness. (See chart below)
Example: For 8" wall specify: 8600L6+2.

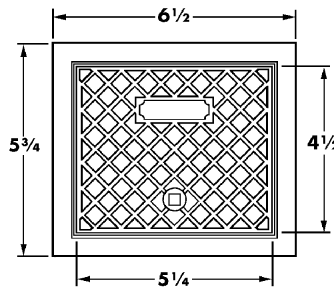


A.S.S.E APPROVED VACUUM BREAKER/BACKFLOW PREVENTER WITH 3/4" HOSE CONNECTION



SPECIFY WALL THICKNESS TO WITHIN 1" OF REQUIRED (6" MIN. WALL THICKNESS)

Cat. No.	Hose Size	Wall "L" Dim., In.	Wt. Lbs.
8600L___,175	3/4"	6-8	12
8600L___,175	3/4"	10-12-14	13
8600L___,175	3/4"	16-18	13
8600L___,175	3/4"	20-22-24	14
8600L___,175	3/4"	26	15



Cat. No.	Wall "L" Thickness, In.
8600,L4+2,, 3/4", 175	6
8600,L6+2., 3/4", 175	8
8600,L8+2., 3/4", 175	10
8600,L10+2., 3/4", 175	12
8600,L12+2., 3/4", 175	14
8600,L14+2., 3/4", 175	16
8600,L16+2., 3/4", 175	18
8600,L18+2., 3/4", 175	20
8600,L20+2., 3/4", 175	22
8600,L22+2., 3/4", 175	24
8600,L24+2., 3/4", 175	26

OPTIONS

- Description
- Wall Clamp