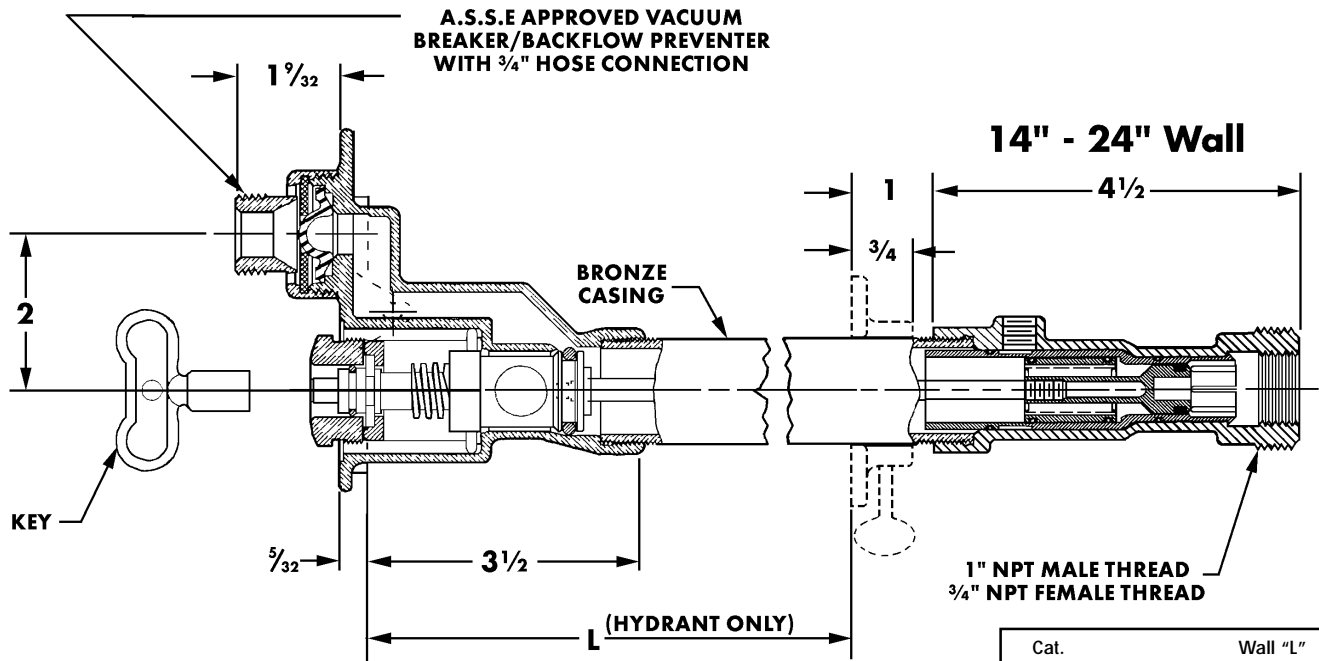
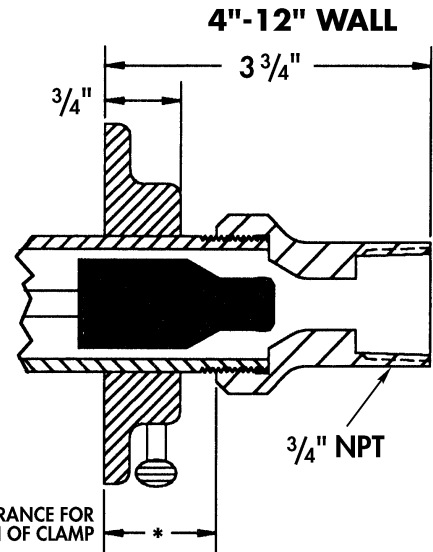


Wall Hydrants

WADE

8600 3/4" non-freeze wall hydrant with straight inlet connections, bronze casing, nickel bronze face and anti-siphon backflow preventor. Specify wall thickness. (See chart below).

Example: For 8" wall specify: 8600,L8.



Cat. No.	Hose Size	Wall "L" Dim., In.	Wt. Lbs.
8600,L__	3/4"	4-6-8	4
8600,L__	3/4"	10-12-14	5
8600,L__	3/4"	16-18	5
8600,L__	3/4"	20-22-24	6

Cat. No.	Wall "L" Thickness, In.
8600,L4, 3/4"	4
8600,L6, 3/4"	6
8600,L8, 3/4"	8
8600,L10, 3/4"	10
8600,L12, 3/4"	12
8600,L14, 3/4"	14
8600,L16, 3/4"	16
8600,L18, 3/4"	18
8600,L20, 3/4"	20
8600,L22, 3/4"	22
8600,L24, 3/4"	24

OPTIONS

Description
<input type="checkbox"/> Wall Clamp