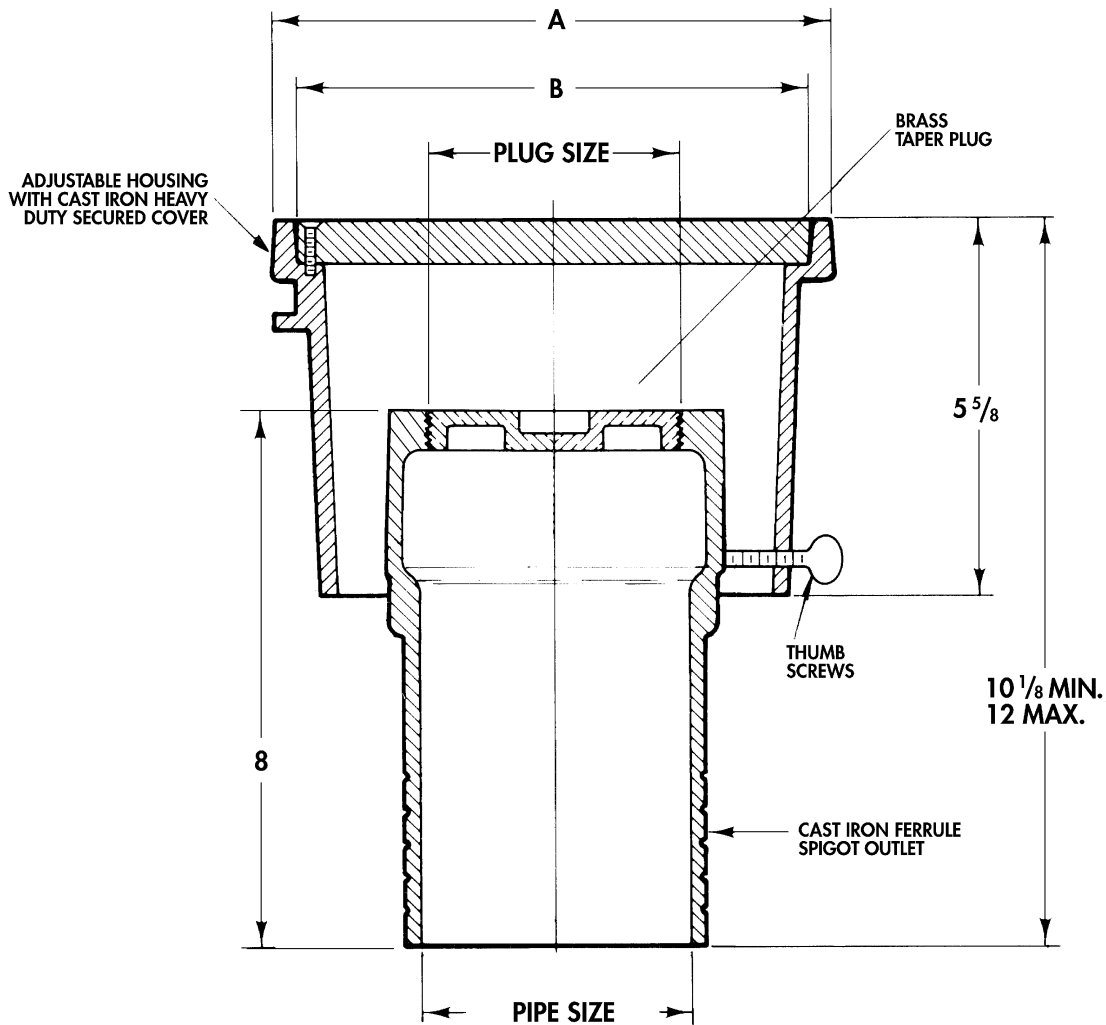


# Floor Cleanouts

**WADE**

**7000Z** Cast iron floor cleanout with adjustable housing, ferrule with tapered brass plug and round heavy duty gray iron scoriated top.

**ANSI Load Class** (Standard Top)  
**Heavy Duty** (5,000 to 7,499 lbs.)



### OPTIONS

Suffix	Description
39 .....	Galvanized Iron Parts

Cat. No.	Pipe Size	A	B	Plug Size	Wt. Lbs.
<input type="checkbox"/> 7005NH	5	8 1/4	7 3/4	4	21
<input type="checkbox"/> 7006NH	6	8 1/4	7 3/4	5	27

### OUTLET

Spigot Only.