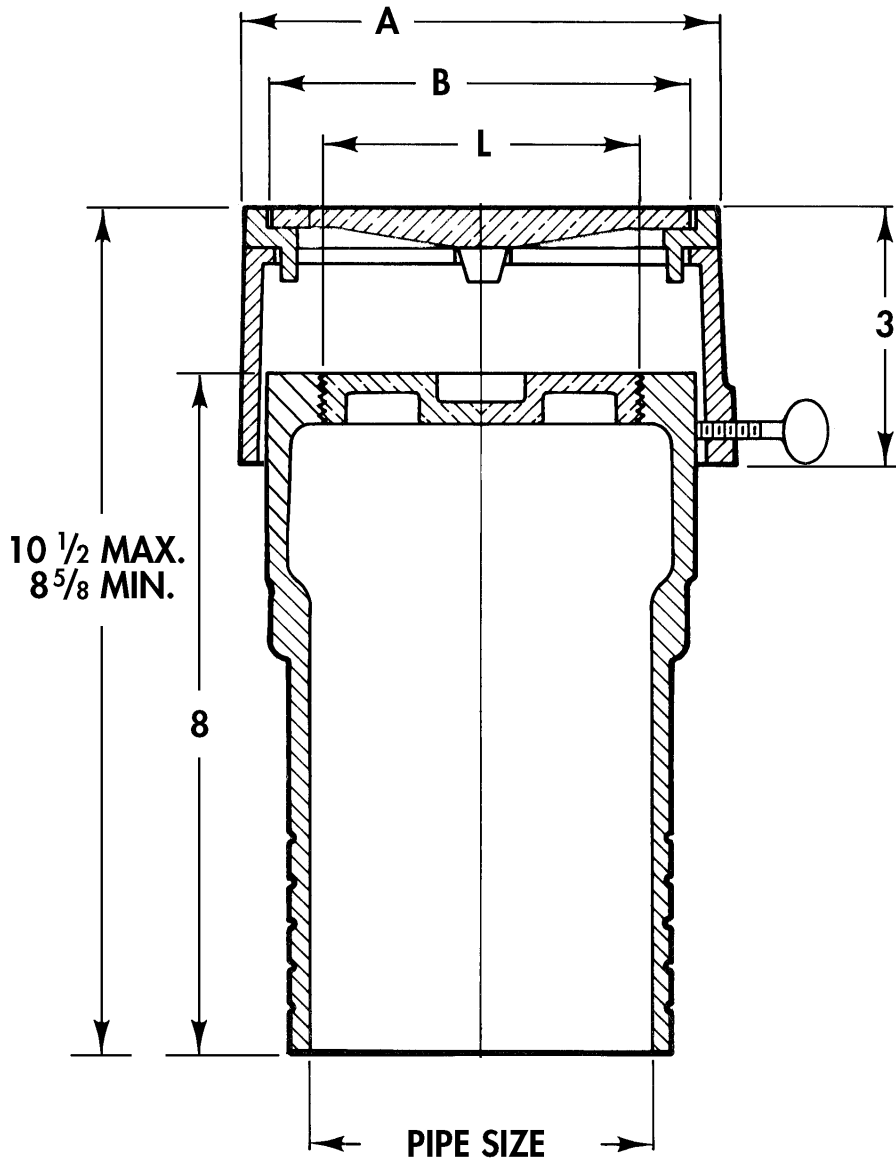


# Floor Cleanouts



**7000** Cast iron floor cleanout with adjustable housing, ferrule with tapered brass plug and round secured nickel bronze scoriated top.  
**ANSI Load Class** (Standard Top)  
**Light Duty** (Under 2,000 lbs.)



Cat. No.	Pipe Size	A	B	L	Wt. Lbs.
<input type="checkbox"/> 7005NH	5	6 1/4	6	4	21
<input type="checkbox"/> 7006NH	6	8 1/4	8	5	27

### TOP VARIATIONS

Suffix	Description
<input type="checkbox"/> X	Heavy Duty Top

### OUTLET

Spigot Only.