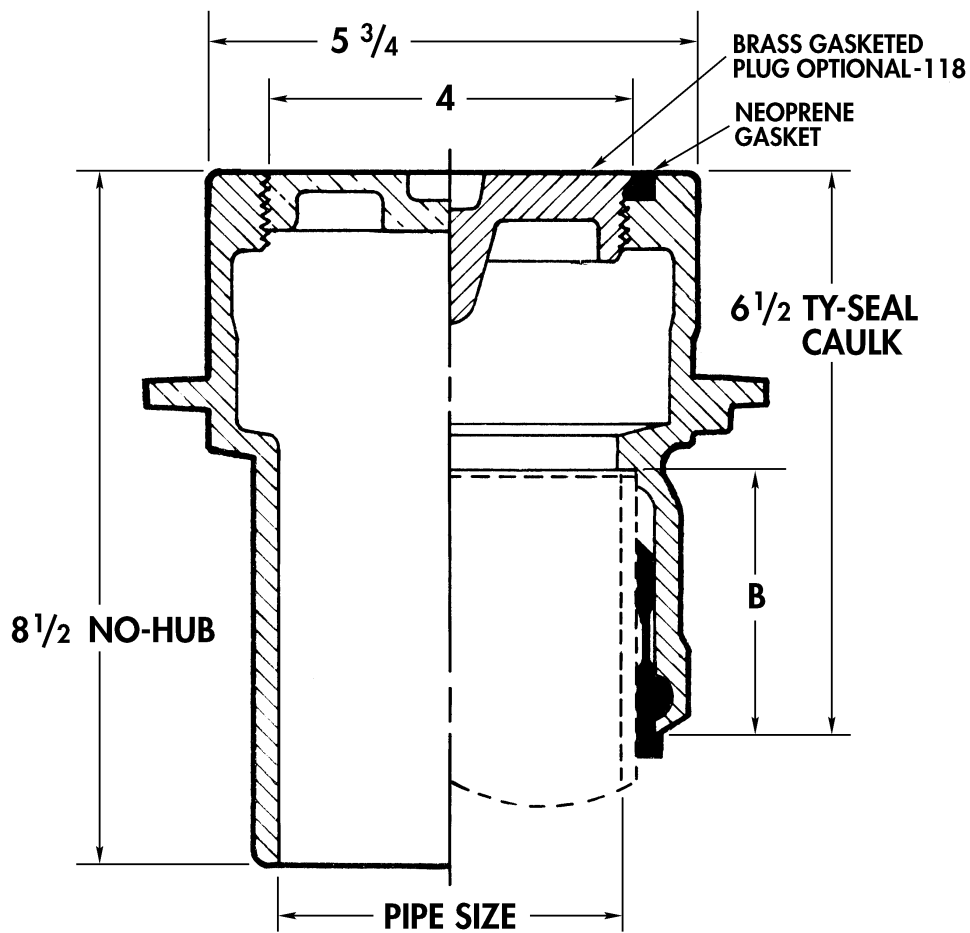


# Cleanout Ferrules

**WADE**

## 6000 (Spigot Outlet, Inside Caulk, SV Hub Outlet)

Cast iron cleanout with flanged ferrule .



Cat. No.	Pipe Size	B	Wt. Lbs.
<input type="checkbox"/> 6002	2	2 1/2	16
<input type="checkbox"/> 6003	3	2 3/4	17
<input type="checkbox"/> 6004	4	3	18

### OPTIONS

Suffix	Description
<input type="checkbox"/> 39	Galvanized Iron Parts
<input type="checkbox"/> 118	Bronze Gasket Plug
<input type="checkbox"/> 75	Bronze Plug

### OUTLET

Suffix	Description
<input type="checkbox"/> TY	Ty-Seal
<input type="checkbox"/> NH	No-Hub
<input type="checkbox"/> IC	Inside Caulk