

Floor Cleanouts

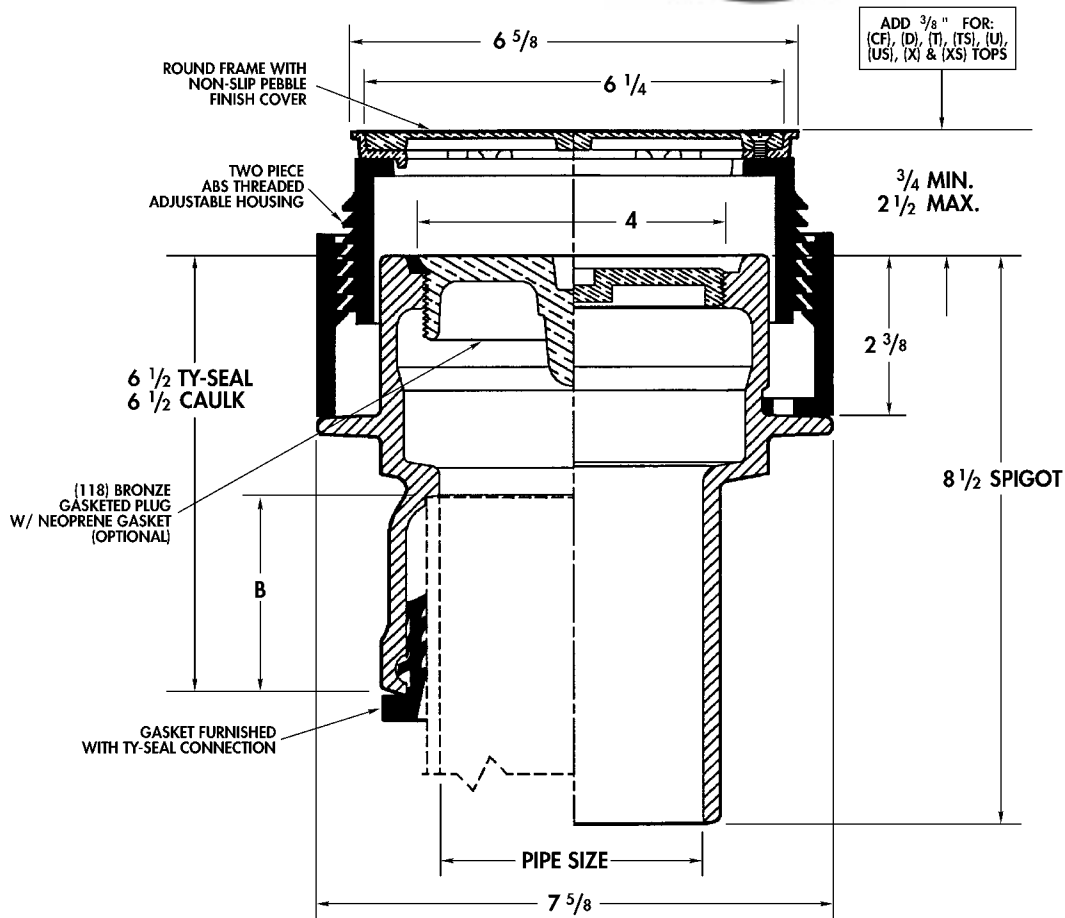
WADE

6000 (SV Hub Outlet, Spigot Outlet, Inside Caulk)

Cast iron cleanout with threaded adjustable housing, flanged ferrule and round secured nickel bronze top.

ANSI Load Class (Standard Top)

Light Duty (Under 2,000 lbs)



TOP VARIATIONS

Suffix	Description	ANSI Load Class
<input type="checkbox"/> CF	Carpet Flange	(LD)
<input type="checkbox"/> CM	Carpet Marker	
<input type="checkbox"/> D	Wide Flange	(HD)
<input type="checkbox"/> S	Standard Square Top	
<input type="checkbox"/> T	Tile Top	(LD)
<input type="checkbox"/> TS	Square Tile Top	(LD)
<input type="checkbox"/> U	Terrazzo	(LD)
<input type="checkbox"/> US	Square Terrazzo	(LD)
<input type="checkbox"/> X	Heavy Duty Top	
<input type="checkbox"/> XS	Square Heavy Duty Top	

OPTIONS

Suffix	Description
<input type="checkbox"/> 39	Galvanized Iron Parts
<input type="checkbox"/> 75	Bronze Plug
<input type="checkbox"/> 118	Bronze Gasket Plug
<input type="checkbox"/> 179	Security Screws

Cat. No.	Pipe Size	B	Wt. Lbs.
<input type="checkbox"/> 6002,1	2	2 1/2	16
<input type="checkbox"/> 6003,1	3	2 3/4	17
<input type="checkbox"/> 6004,1	4	3	18

OUTLET

Suffix	Description
<input type="checkbox"/> TY	Ty-Seal
<input type="checkbox"/> NH	No-Hub
<input type="checkbox"/> IC	Inside Caulk