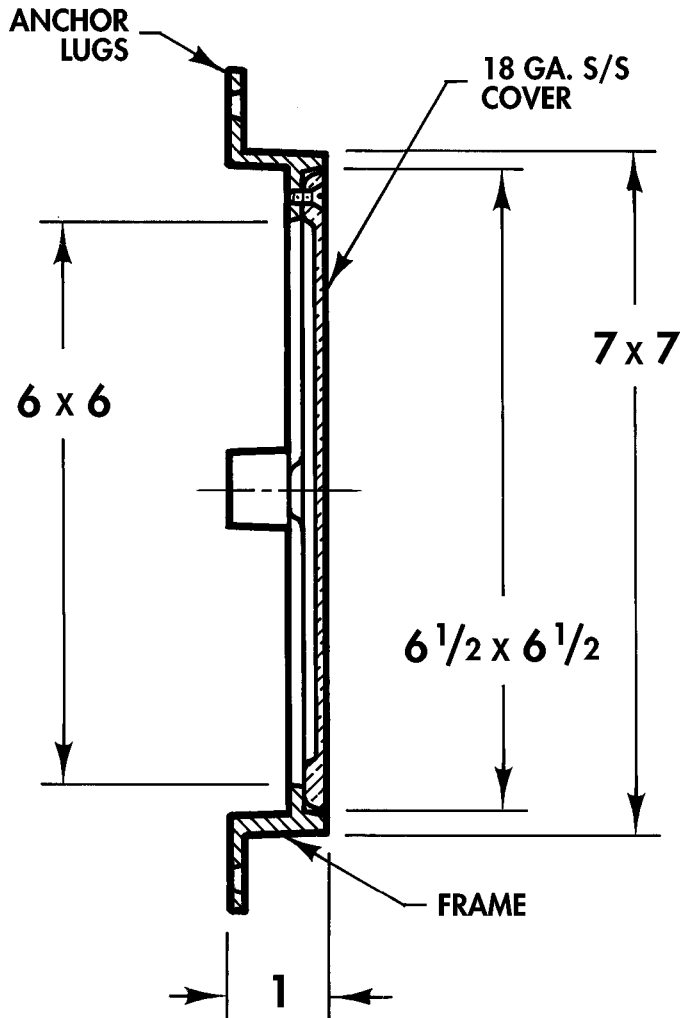


# Wall Access Covers

**WADE**

**8480S** Square nickel bronze frame with secured smooth stainless steel access cover.



### OPTIONS

Cat. No.	Wt. Lbs.
<input type="checkbox"/> 8480S	2.5

Suffix	Description
<input type="checkbox"/> 179	Security Screws