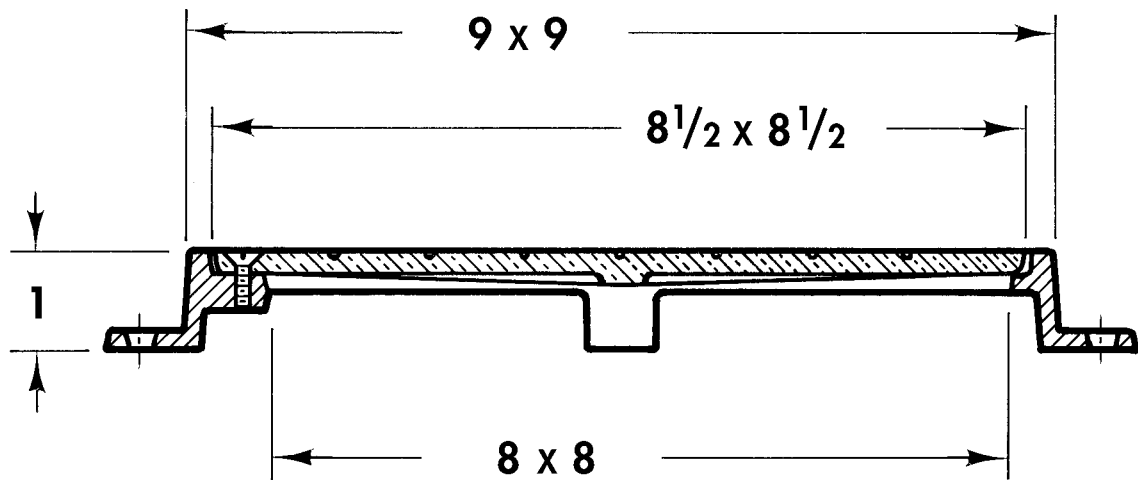
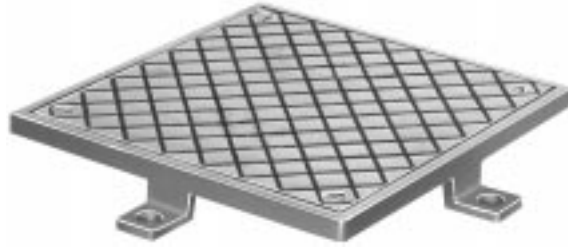


Access Covers

WADE

8300S Square 9x9-in. scoriated secured nickel bronze access cover and frame. **ANSI Load Class** - Light Duty (under 2,000 lbs.)



OPTIONS

Cat. No.	Wt. Lbs.
8300-S9	6

Suffix	Description
179	Security Screws