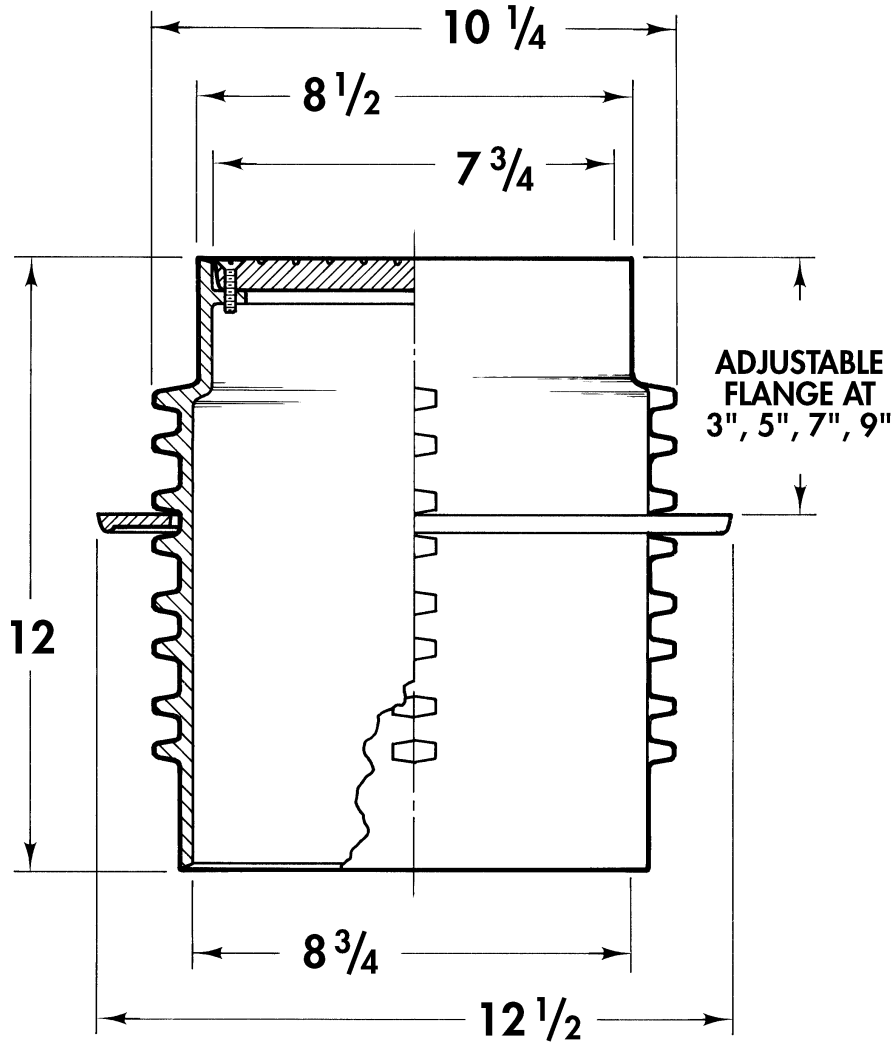


Access Housing



8300MF Access housing with adjustable anchor flange and extra heavy secured scoriated ductile iron cover.
ANSI Load Class - Special Duty (Over 10,000 lbs.)



OPTIONS

| Cat. No. | Wt. Lbs. |
|----------|----------|
| 8300MF | 35 |

| Suffix | Description |
|--------|-----------------------|
| 39 | Galvanized Iron Parts |