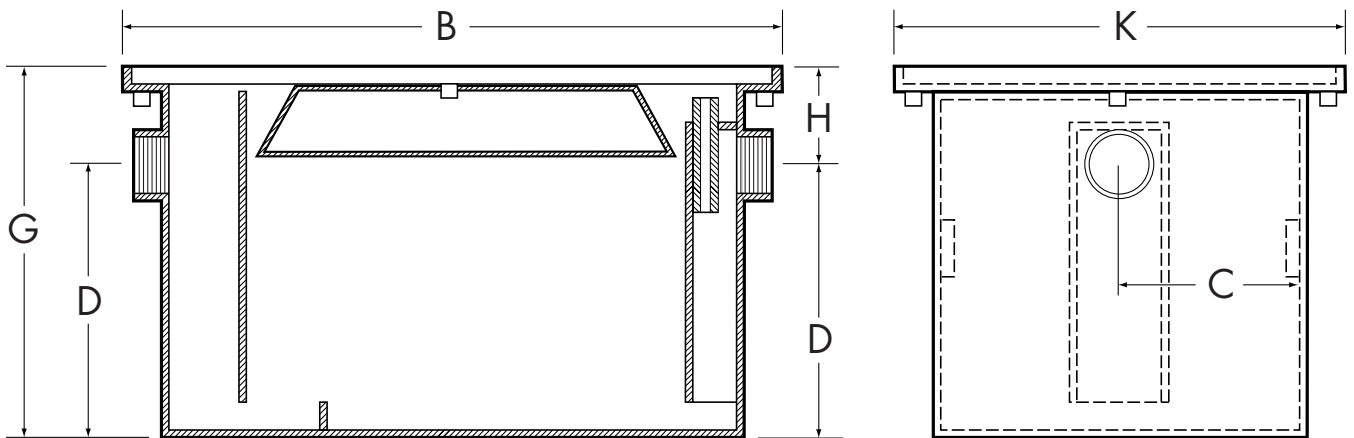
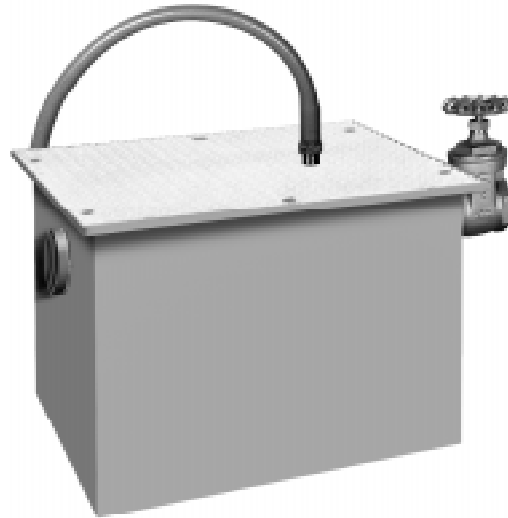


Semi-Automatic Grease Interceptors

WADE

5100JCX Fabricated steel grease interceptor with white acid-resisting coating, removable baffles, gasketed scoriated cover, and threaded inlet and outlet. **Semi-automatic features are: draw-off valve, grease accumulating hood and flexible draw-off hose.**



Cat. No.	Pipe Size	B	C	D	G	H	K	GPM Max	Grease Capacity	Ship Wt.
□ 5110JCX	2	20	6 ³ / ₈	9 ¹ / ₂	13	3 ¹ / ₂	15	10	20	55
□ 5115JCX	2	25	7 ³/₈	9 ¹/₂	13	3 ¹/₂	17	15	30	71
□ 5120JCX	3	27	8	9 ¹ / ₂	13	3 ¹ / ₂	18 ³ / ₄	20	40	80
□ 5125JCX	3	26	8 ⁵/₈	13 ¹/₂	18	4 ¹/₂	20	25	50	103
□ 5135JCX	4	28 ¹ / ₂	8 ⁵ / ₈	17 ¹ / ₂	22	4 ¹ / ₂	20	35	70	120
□ 5150JCX	4	30	10 ⁵/₈	17 ¹/₂	22	4 ¹/₂	24	50	100	148