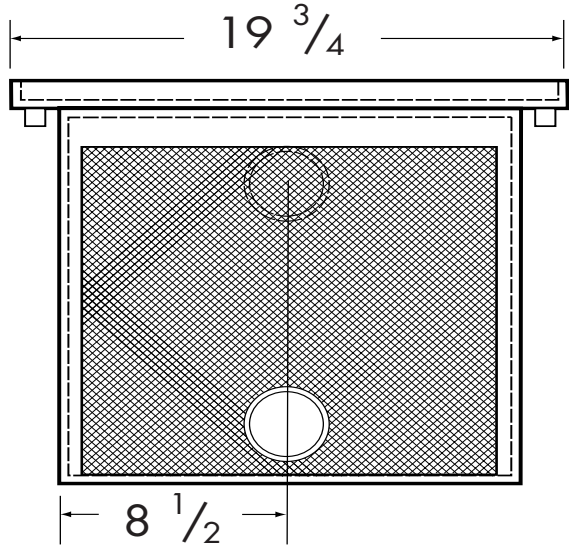
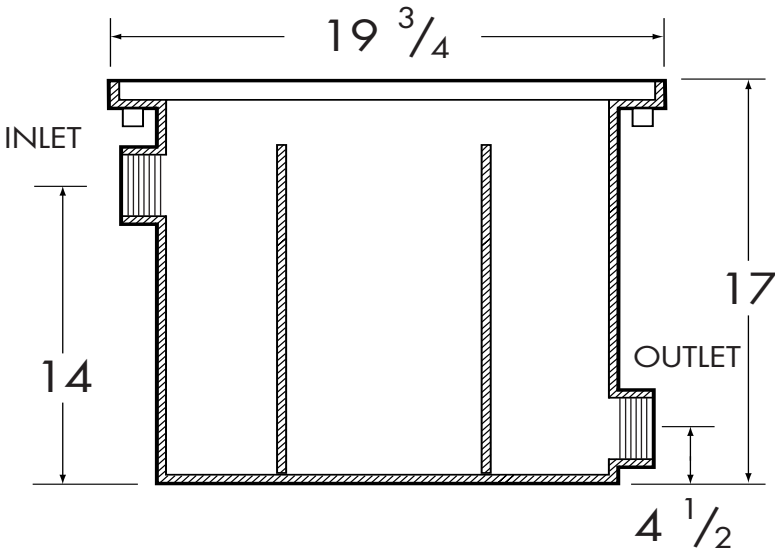


# Solids Interceptors



**5740L** Fabricated steel large capacity solids interceptor, white acid resisting coating, anti-skid cover with lift ring, removable sediment bucket and stainless steel screens.



Cat. No.	Pipe Size	Wt. Lbs.
<input type="checkbox"/> 5740L	2	170

**OUTLET**

Thread Only