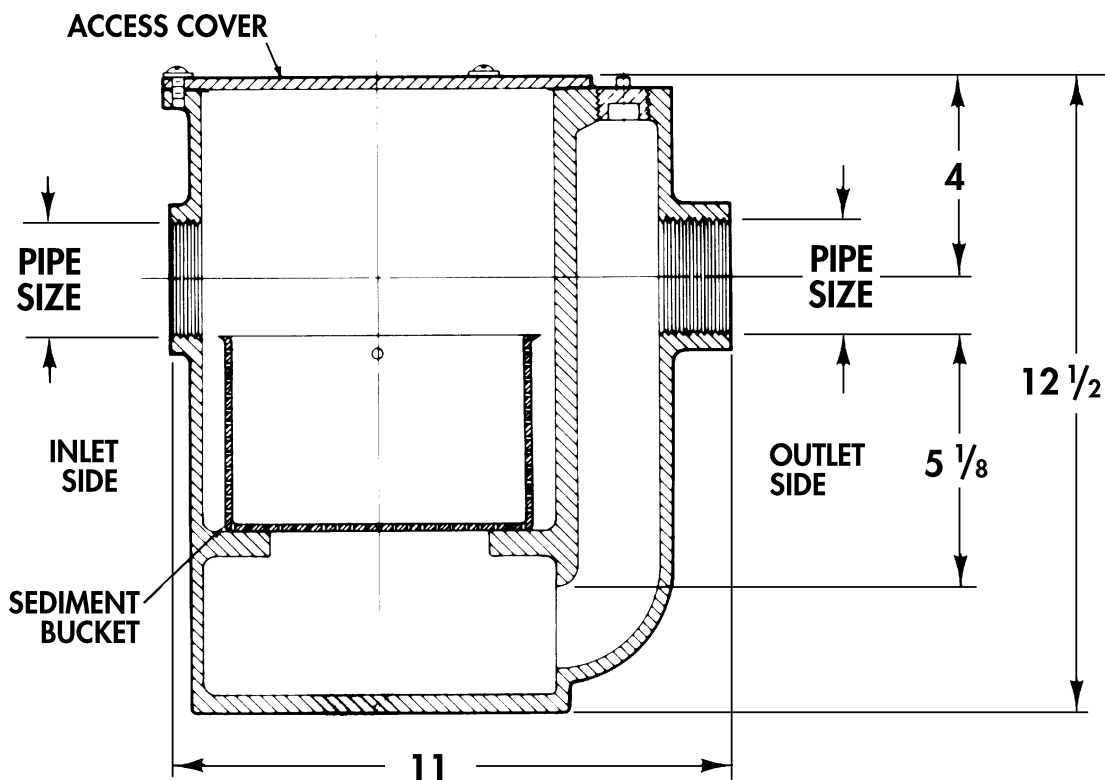
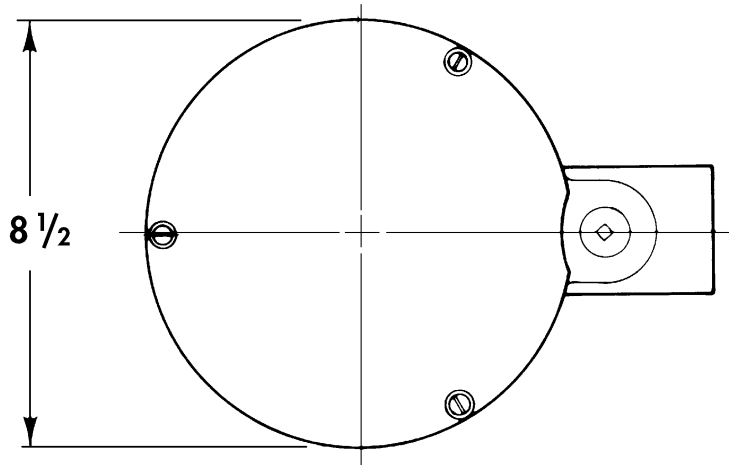


# Solids Interceptors

**WADE**

**5740** Cast iron solids interceptor with white acid resisting coatings, internal deep seal trap, cleanout, removable perforated stainless steel sediment bucket with lift handle and gas tight cover.



Cat. No.	Pipe Size	Wt. Lbs.
□ 5740	2	42

## OUTLET

□ Thread Only