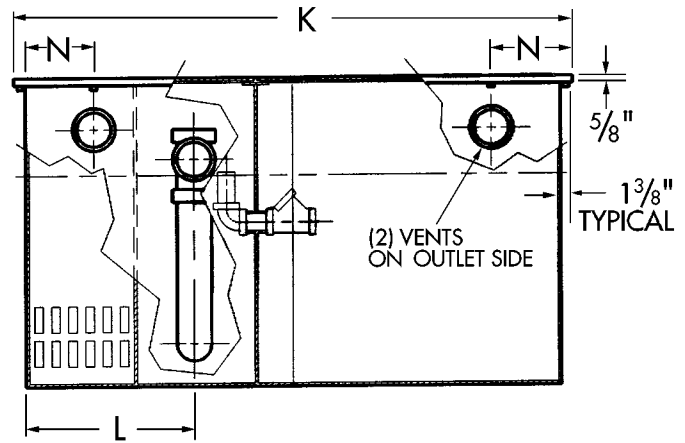
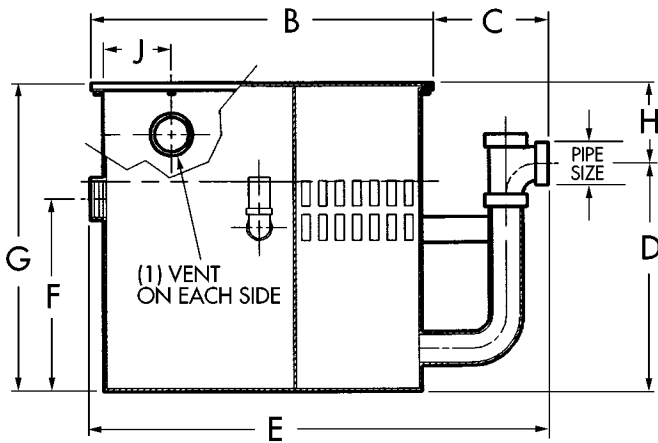
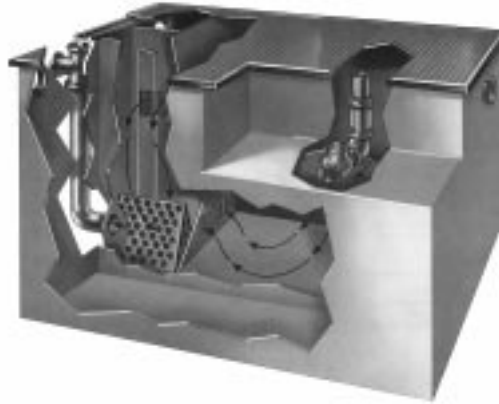


# Oil Interceptors with Storage Compartment



**5500** Fabricated steel oil interceptor with integral storage compartment, anti-skid gasketed cover, removable baffles, acid resisting coating, threaded inlet and outlet.



Cat. No.	Pipe Size	Vent Size	B	C	D	E	F	G	H	J	K	L	N	Storage Capacity	GPM Gal.
5500-25	2	3	24	5	25 1/2	29	22 1/2	30	4 1/2	5	46	11 7/8	5	50	25
<b>5500-35</b>	<b>3</b>	<b>3</b>	<b>33</b>	<b>7</b>	<b>26</b>	<b>37 7/8</b>	<b>22 1/2</b>	<b>31</b>	<b>5</b>	<b>9</b>	<b>44 1/2</b>	<b>13 3/8</b>	<b>5</b>	<b>50</b>	<b>35</b>
5500-50	3	3	36	7	26	43 3/8	22 1/2	32	6	6	65 1/2	16 3/8	8	100	50
<b>5500-75</b>	<b>4</b>	<b>4</b>	<b>40</b>	<b>9</b>	<b>26 1/2</b>	<b>49 7/8</b>	<b>22 1/2</b>	<b>36</b>	<b>9 1/2</b>	<b>8</b>	<b>65</b>	<b>20 1/4</b>	<b>8</b>	<b>100</b>	<b>75</b>
5500-100	4	4	49 1/2	8 1/2	26 1/2	58	22 1/4	36	9 1/2	6	90	26 3/4	8	200	100
<b>5500-150</b>	<b>4</b>	<b>4</b>	<b>57</b>	<b>9</b>	<b>30</b>	<b>66</b>	<b>25 3/4</b>	<b>44</b>	<b>14</b>	<b>8</b>	<b>68</b>	<b>25 1/4</b>	<b>8</b>	<b>200</b>	<b>150</b>
5500-200	4	4	64 1/4	9	30 1/2	73 1/4	26	48	17 1/2	10	90	29	10	200	300
<b>5500-250</b>	<b>4</b>	<b>4</b>	<b>64 1/4</b>	<b>9</b>	<b>35 1/2</b>	<b>73 1/4</b>	<b>31</b>	<b>51</b>	<b>15 1/2</b>	<b>12</b>	<b>90</b>	<b>33</b>	<b>10</b>	<b>300</b>	<b>250</b>
5500-300	6	4	70 1/4	18 3/8	36 1/2	94 7/8	30	52	15 1/2	6	86	33	6	300	300
<b>5500-350</b>	<b>6</b>	<b>4</b>	<b>76 1/4</b>	<b>18 3/8</b>	<b>43 1/2</b>	<b>100 7/8</b>	<b>37</b>	<b>60</b>	<b>16 1/2</b>	<b>6</b>	<b>94</b>	<b>32 3/8</b>	<b>6</b>	<b>500</b>	<b>350</b>
5500-400	6	4	83	18 3/8	43	107 7/8	36 3/4	60	17	12	91	32	10	500	400
<b>5500-450</b>	<b>6</b>	<b>4</b>	<b>94 1/4</b>	<b>18 3/8</b>	<b>43</b>	<b>118 7/8</b>	<b>36 3/4</b>	<b>60</b>	<b>17</b>	<b>12</b>	<b>83</b>	<b>32</b>	<b>10</b>	<b>500</b>	<b>450</b>
5500-500	6	4	94 1/4	18 3/8	46	118 7/8	39 3/4	66	20	12	83	32	10	500	500