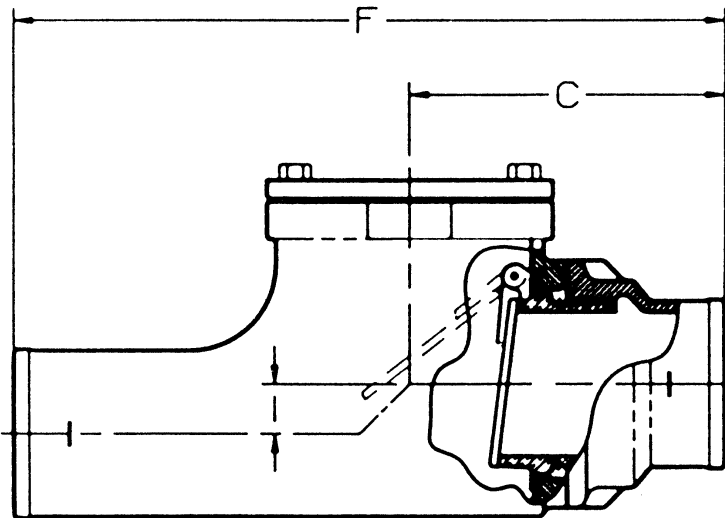
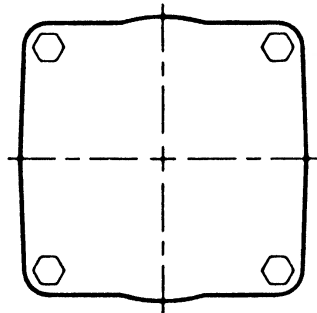


Backwater Valve

WADE

4200 Painted cast iron Palmer type backwater valve with brass flapper and bolted cover. No-Hub inlet and outlets.



OUTLET

No-Hub Only

Cat. No.	Pipe Size	F	C	Wt. Lbs.
<input type="checkbox"/> 4202	2	12 ³ / ₄	5 ³ / ₄	13.8
<input type="checkbox"/> 4203	3	14 ³/₈	6 ³/₈	21.9
<input type="checkbox"/> 4204	4	15 ³ / ₈	6 ⁵ / ₈	31.6

NOTE: Sewer valves not designed for positive seal.