

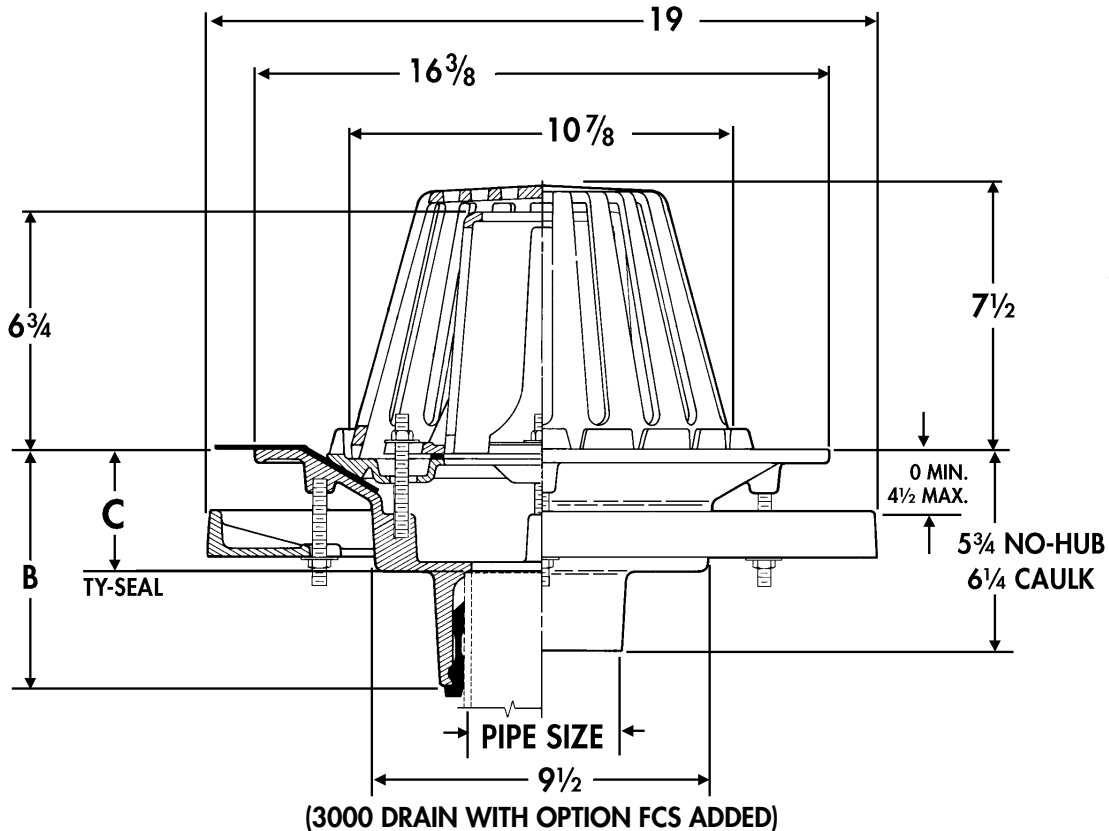
Control-Flow Roof Drains

WADE

3000FCS (3 - 6" Outlets)

Cast Iron roof drain with flashing ring and gravel stop, water retaining device with 6" high proportional flow weir and cast iron mushroom dome.

NOTE: FCS Package Comes Standard With (One) Flow Weir Opening.



OUTLET:

- TY Ty-Seal (2", 3", 4", 6")
- NH No-Hub
- IC Inside Caulk
- IPS Thread

Cat. No.	Pipe Size	B Ty-Seal	C Ty-Seal	Wt. Lbs.
<input type="checkbox"/> 3002FCS	2	6 3/8	3 7/8	50
<input type="checkbox"/> 3003FCS	3	6 5/8	3 7/8	52
<input type="checkbox"/> 3004FCS	4	6 7/8	3 7/8	53
<input type="checkbox"/> 3005FCS	5	-	-	74
<input type="checkbox"/> 3006FCS	6	6 3/8	3 3/8	74

OPTIONS

Suffix	Description
<input type="checkbox"/> 3	Rough Bronze Dome
<input type="checkbox"/> 5	Vandal Proof
<input type="checkbox"/> 39	Galvanized Iron Parts
<input type="checkbox"/> 52	Bearing Pan/Sump Receiver
<input type="checkbox"/> 53	Deck Clamp
<input type="checkbox"/> 54	Bronze Flashing Collar

VARIATIONS

Suffix	Description
<input type="checkbox"/> AE	Adjustable Extension 1-6" Adj.
<input type="checkbox"/> DF	Extension Flange (1", 2", 3", 4")
<input type="checkbox"/> DFS	Perforated Extension (2", 3", 4")