

# Large Adjustable Roof Drains

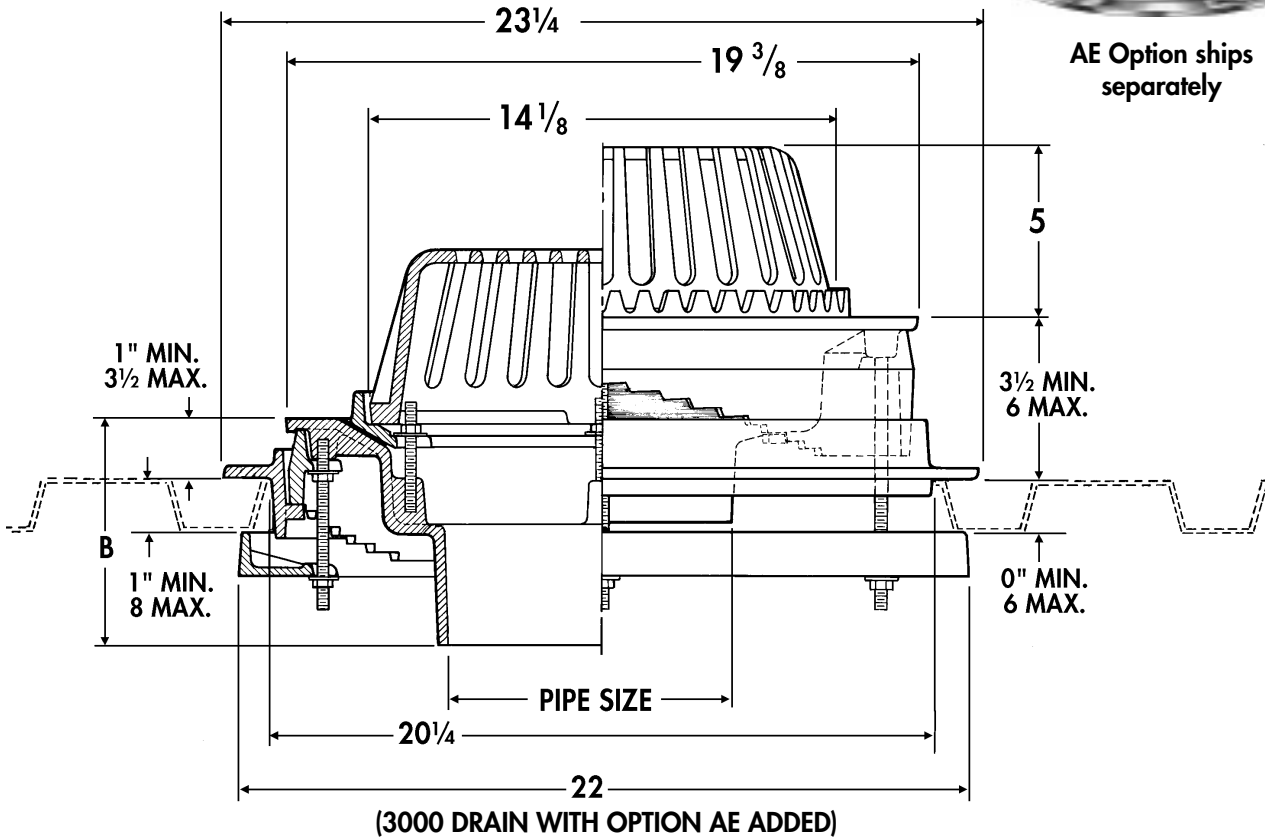
**WADE**

## 3000AE (8 & 10" Outlets)

Cast iron roof drain with flange, flashing ring with gravel stop, cast iron mushroom dome, underdeck clamp and adjustable extension with reversible high or low position deck ring.



AE Option ships separately



Cat. No.	Pipe Size	B No-Hub	Wt. Lbs.
<input type="checkbox"/> 3008AE	8	6 1/4	125
<input type="checkbox"/> 3009AE	10	5 3/4	125

### OUTLET:

- NH ..... No-Hub
- IPS ..... Thread (8" Only)

### OPTIONS

Suffix	Description
<input type="checkbox"/> 3	Rough Bronze Dome
<input type="checkbox"/> 5	Vandal Proof
<input type="checkbox"/> 39	Galvanized Iron Parts
<input type="checkbox"/> 42	Cast Iron Dome
<input type="checkbox"/> 46	Aluminum Dome
<input type="checkbox"/> 52	Bearing Pan/Sump Receiver
<input type="checkbox"/> 53	Deck Clamp

### VARIATIONS

Suffix	Description
<input type="checkbox"/> DF	Extension Flange (1", 2", 3", 4")
<input type="checkbox"/> DFS	Perforated Extension (2", 4")
<input type="checkbox"/> DP	Perforated Gravel Stop
<input type="checkbox"/> D	Dam (2" High)
<input type="checkbox"/> SD	Standpipe Assembly