

Large Adjustable Roof Drains

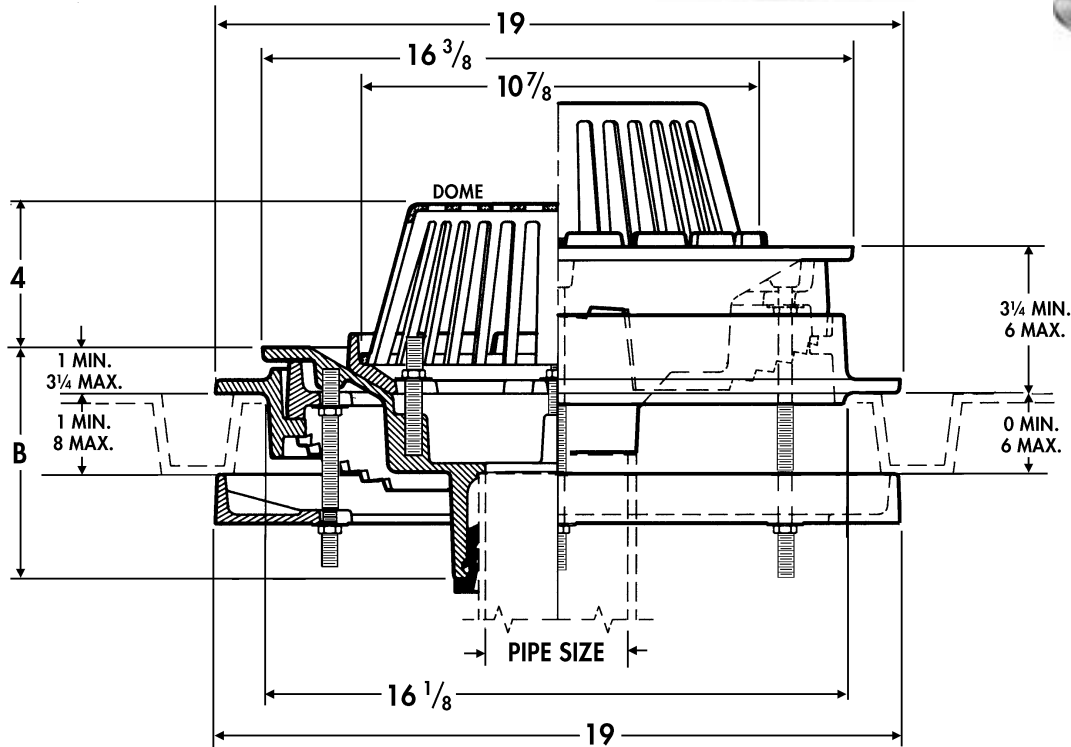
WADE

3000AE (2 - 6" Outlets)

Cast iron roof drain with flange, flashing ring with gravel stop, polypropylene mushroom dome, underdeck clamp and adjustable extension with reversible high or low position deck ring.



AE Option ships separately



(3000 DRAIN WITH OPTION AE ADDED)

OUTLET:

- TY Ty-Seal (2", 3", 4", 6")
- NH No-Hub
- IC Inside Caulk
- IPS Thread

VARIATIONS

- | Suffix | Description |
|------------------------------------|-----------------------------------|
| <input type="checkbox"/> DF | Extension Flange (1", 2", 3", 4") |
| <input type="checkbox"/> DFS | Perforated Extension (2", 3", 4") |
| <input type="checkbox"/> DP | Perforated Gravel Stop |
| <input type="checkbox"/> D..... | Dam (2" High) |
| <input type="checkbox"/> FCS | Flow Control Assembly |
| <input type="checkbox"/> SD..... | Standpipe Assembly |