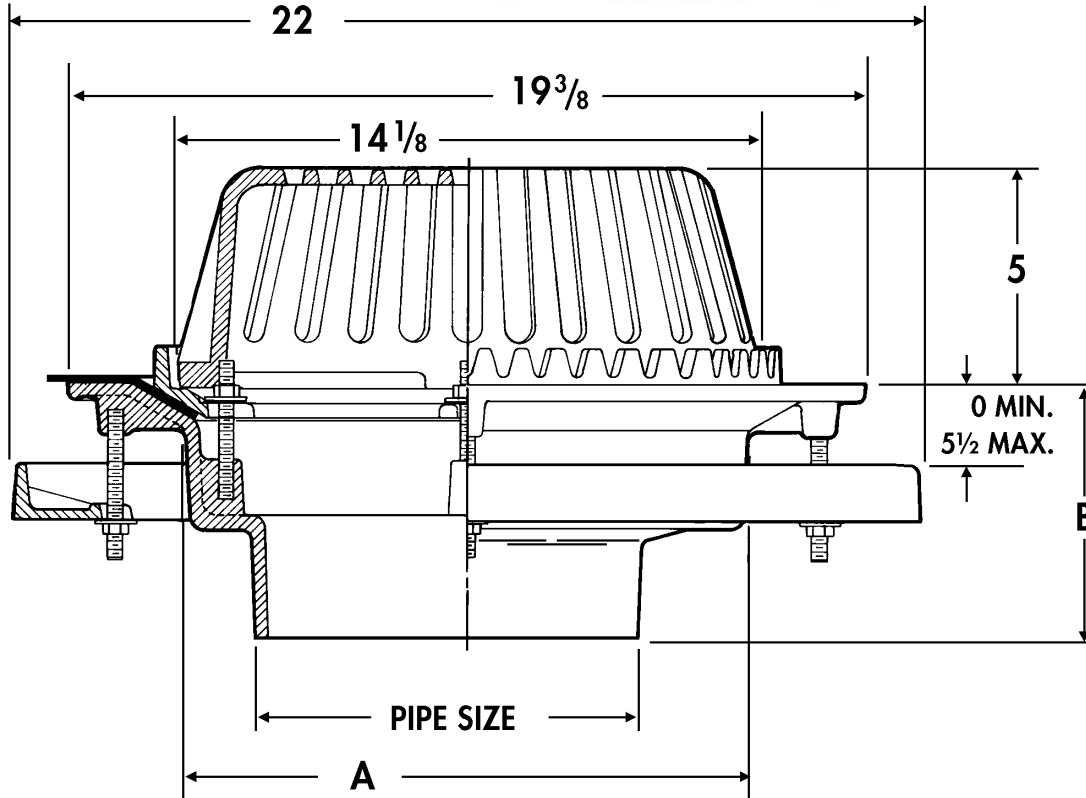


Large Roof Drains

WADE

3000 (8 & 10" Outlets)

Cast iron roof drain with flange, flashing ring with gravel stop and cast iron mushroom dome.



Cat. No.	Pipe Size	A	B	Wt. Lbs.
<input type="checkbox"/> 3008	8	13 3/4	6 1/4	65
<input type="checkbox"/> 3009	10	16 1/4	5 3/4	65

OUTLET:

- NH No-Hub
- IPS Thread (8" Only)

OPTIONS

Suffix	Description
<input type="checkbox"/> 3	Rough Bronze Dome
<input type="checkbox"/> 5	Vandal Proof
<input type="checkbox"/> 39	Galvanized Iron Parts
<input type="checkbox"/> 46	Aluminum Dome
<input type="checkbox"/> 52	Bearing Pan/Sump Receiver
<input type="checkbox"/> 53	Deck Clamp

VARIATIONS

Suffix	Description
<input type="checkbox"/> AE	Adjustable Extension (1-6" Adj.)
<input type="checkbox"/> DF	Extension Flange (1", 2", 3", 4")
<input type="checkbox"/> DFS	Perforated Extension (2", 4")
<input type="checkbox"/> DP	Perforated Gravel Stop
<input type="checkbox"/> D	Dam (2" High)
<input type="checkbox"/> SD	Standpipe Assembly