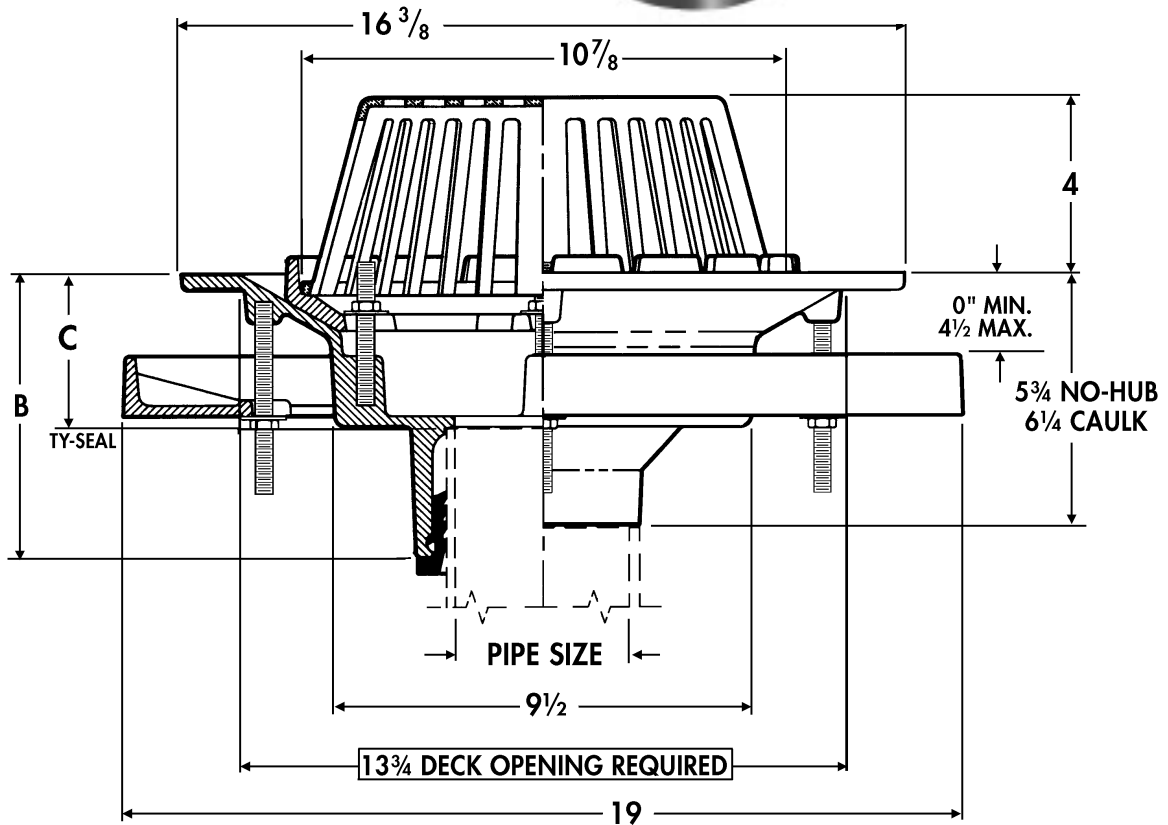


# Large Roof Drains

# WADE

**3000 (2 - 6" Outlets)** Cast iron roof drain with flange, flashing ring with gravel stop and polypropylene mushroom dome.



Cat. No.	Pipe Size	B Ty-Seal	C Ty-Seal	Wt. Lbs.
3002	2	6 <sup>3</sup> / <sub>8</sub>	3 <sup>7</sup> / <sub>8</sub>	41
<b>3003</b>	<b>3</b>	<b>6 <sup>5</sup>/<sub>8</sub></b>	<b>3 <sup>7</sup>/<sub>8</sub></b>	<b>43</b>
3004	4	6 <sup>7</sup> / <sub>8</sub>	3 <sup>7</sup> / <sub>8</sub>	44
<b>3005</b>	<b>5</b>	-	-	<b>65</b>
3006	6	6 <sup>3</sup> / <sub>8</sub>	3 <sup>3</sup> / <sub>8</sub>	65

### OUTLET:

- TY ..... Ty-Seal (2", 3", 4", 6")
- NH ..... No-Hub
- IC ..... Inside Caulk
- IPS ..... Thread

### OPTIONS

Suffix	Description
<input type="checkbox"/> 3	Rough Bronze Dome
<input type="checkbox"/> 5	Vandal Proof
<input type="checkbox"/> 39	Galvanized Iron Parts
<input type="checkbox"/> 42	Cast Iron Dome
<input type="checkbox"/> 46	Aluminum Dome
<input type="checkbox"/> 52	Bearing Pan/Sump Receiver
<input type="checkbox"/> 53	Deck Clamp
<input type="checkbox"/> 54	Bronze Flashing Ring

### VARIATIONS

Suffix	Description
<input type="checkbox"/> AE	Adjustable Extension 1-6" Adj.
<input type="checkbox"/> DF	Extension Flange (1", 2", 3", 4")
<input type="checkbox"/> DFS	Perforated Extension (2", 3", 4")
<input type="checkbox"/> DP	Perforated Gravel Stop
<input type="checkbox"/> D	Dam (2" High)
<input type="checkbox"/> FCS	Flow Control Assembly
<input type="checkbox"/> SD	Standpipe Assembly