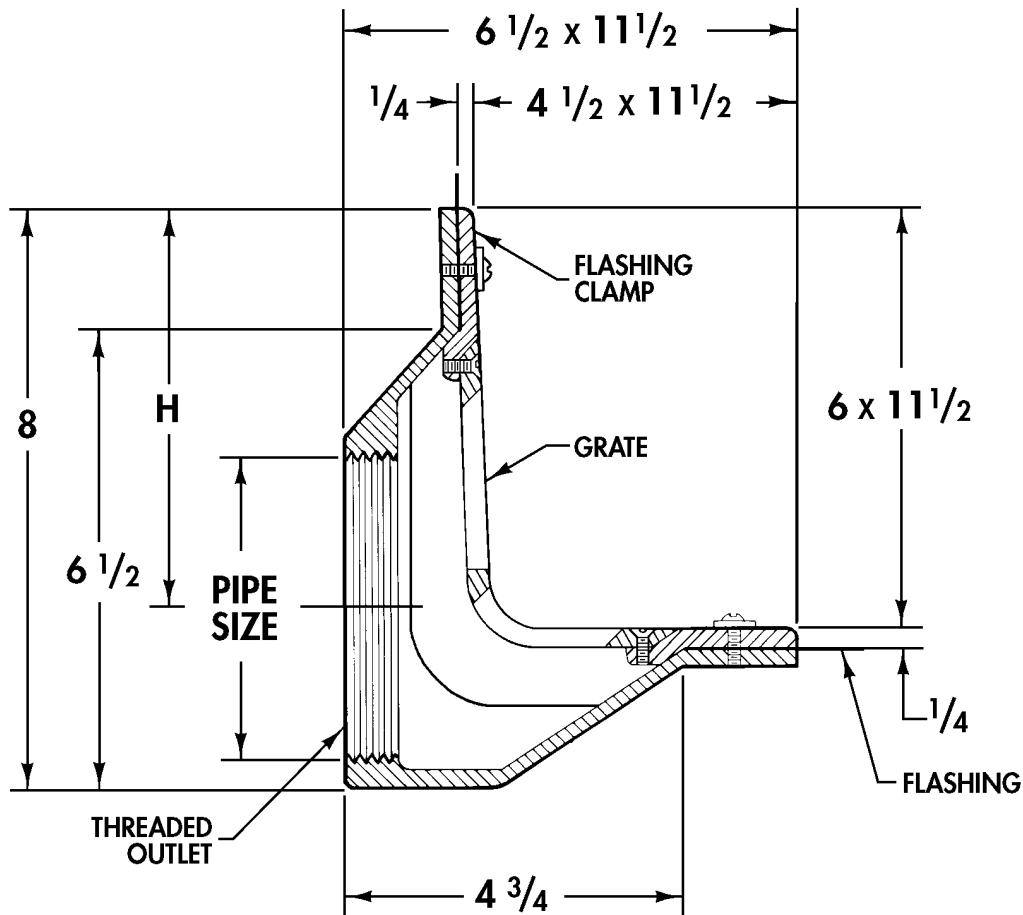


Parapet Drains

WADE

3290 Cast iron 90° threaded side outlet parapet drain with flush-set secured nickel bronze flashing clamp and grate.



OPTIONS

Cat. No.	Pipe Size	H	Wt. Lbs.
□ 3292	2	6 5/8	19
□ 3293	3	6 1/4	17
□ 3294	4	5 5/8	17

Suffix	Description
□ 39	Galvanized Iron Parts
□ 179	Security Screws