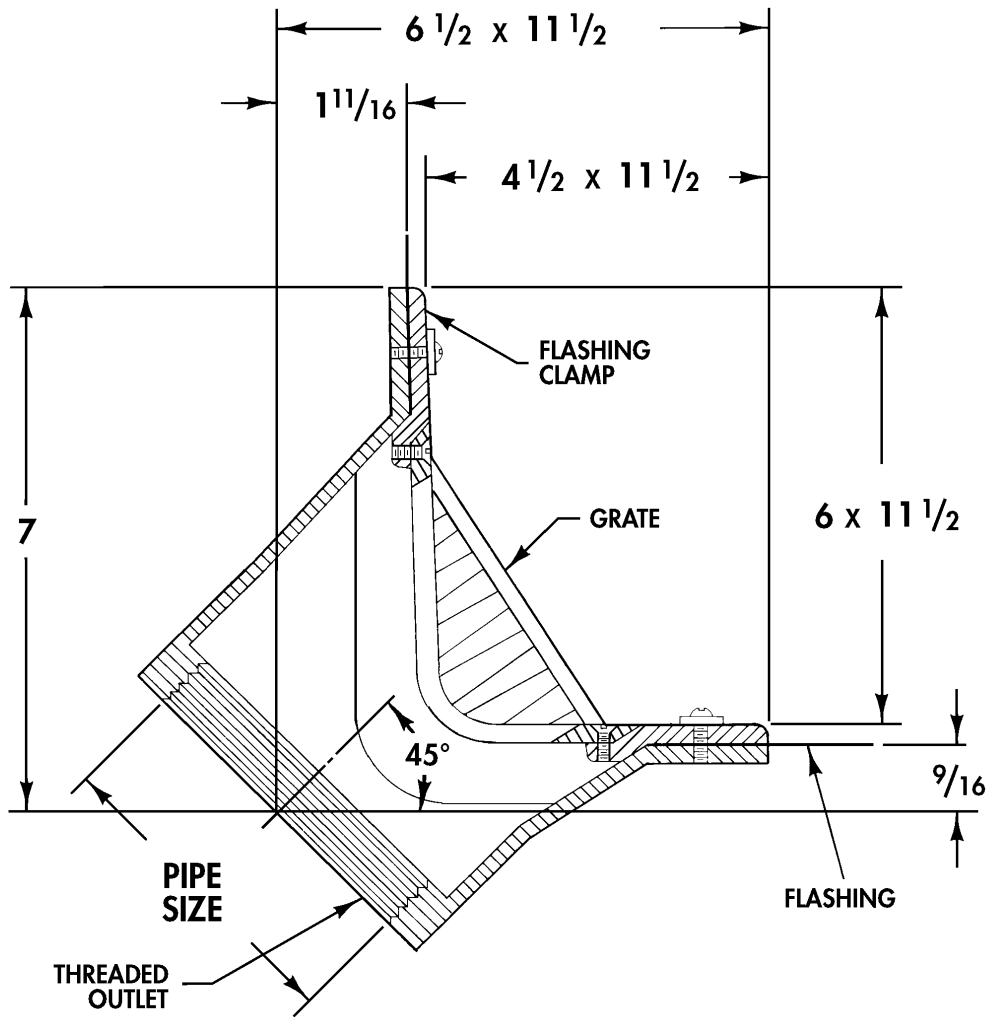


# Parapet Drains

**WADE**

**3270A** Cast iron 45° threaded outlet parapet drain with secured nickel bronze flashing clamp and grate.



### OPTIONS

Cat. No.	Pipe Size	Wt. Lbs.
3272A	2	19
<b>3273A</b>	<b>3</b>	<b>17</b>
3274A	4	17

Suffix	Description
39	Galvanized Iron Parts
179	Security Screws