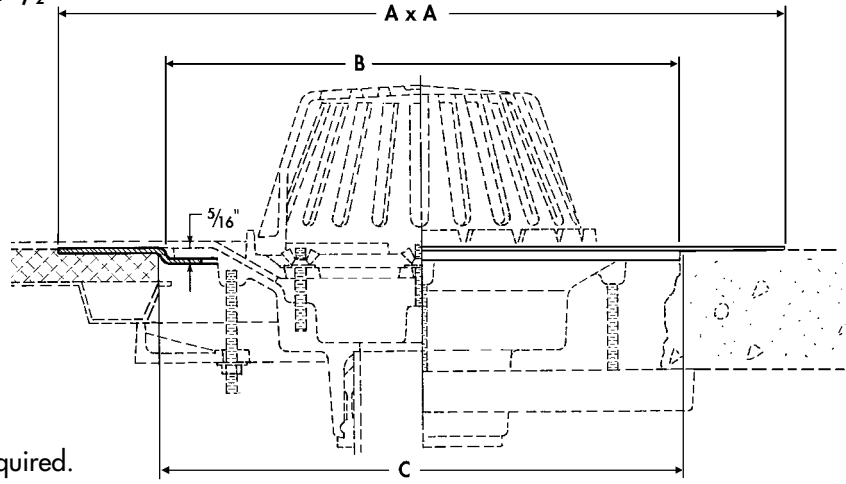


# Roof Drain Options and Variations

**WADE**

**(52) Bearing Pan** -When used with Roof Drains, eliminates the need for chamfering rough hole to receive drain body in pre-cast type decks. It also provides a large bearing surface for drain body on lightweight materials such as insulated decks.

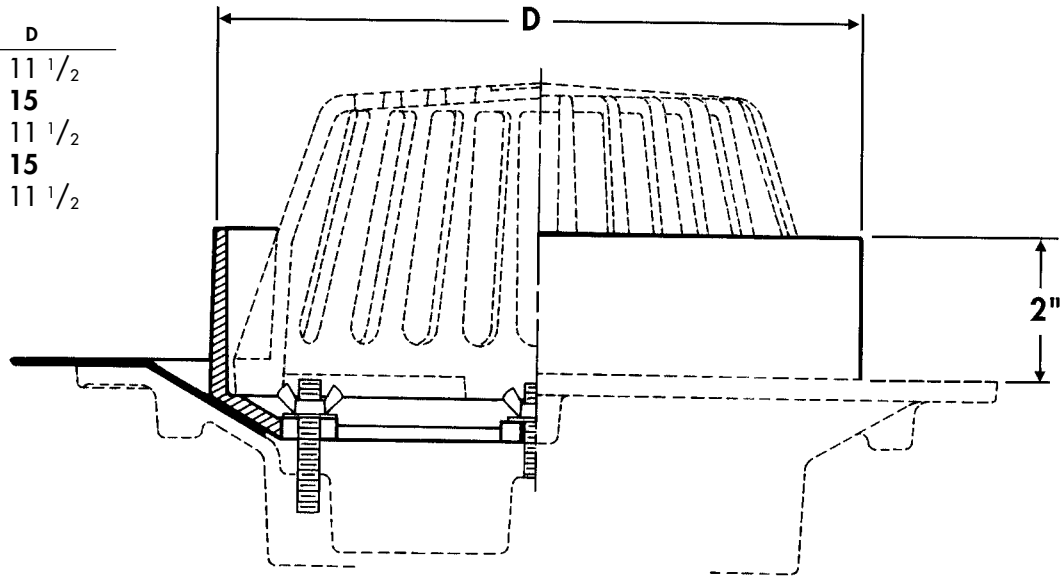
Series No.	Pipe Size	A	B	C Min. Rough Hole in Deck
□ 3000	2-6	24	16 <sup>3</sup> / <sub>4</sub>	17 <sup>1</sup> / <sub>2</sub>
□ <b>3000</b>	<b>8-10</b>	<b>27</b>	<b>19 <sup>5</sup>/<sub>8</sub></b>	<b>20 <sup>1</sup>/<sub>2</sub></b>
□ 3100	2-6	24	16 <sup>3</sup> / <sub>4</sub>	17 <sup>1</sup> / <sub>2</sub>
□ 3100	8-10	27	19 <sup>5</sup> / <sub>8</sub>	20 <sup>1</sup> / <sub>2</sub>
□ <b>3220</b>	<b>2-4</b>	<b>24</b>	<b>13 <sup>1</sup>/<sub>2</sub></b>	<b>14 <sup>1</sup>/<sub>2</sub></b>



**MATERIAL:** 14 ga. steel.  
**TO ORDER:** Add option 52 to Roof Drain required.

**(D) Dam** - For Roof Decks of any construction where a constant water storage depth is desired. May be used on conventional roofs as a safety overflow, to drain water that exceeds a pre-determined maximum depth.

Series No.	Pipe Size	D
□ 3000	2-6	11 <sup>1</sup> / <sub>2</sub>
□ <b>3000</b>	<b>8-10</b>	<b>15</b>
□ 3010	2-4	11 <sup>1</sup> / <sub>2</sub>
□ <b>3010</b>	<b>8-10</b>	<b>15</b>
□ 3220	2-4	11 <sup>1</sup> / <sub>2</sub>



**MATERIAL:** Cast iron.  
**TO ORDER:** Add option D and height to Roof Drain required.