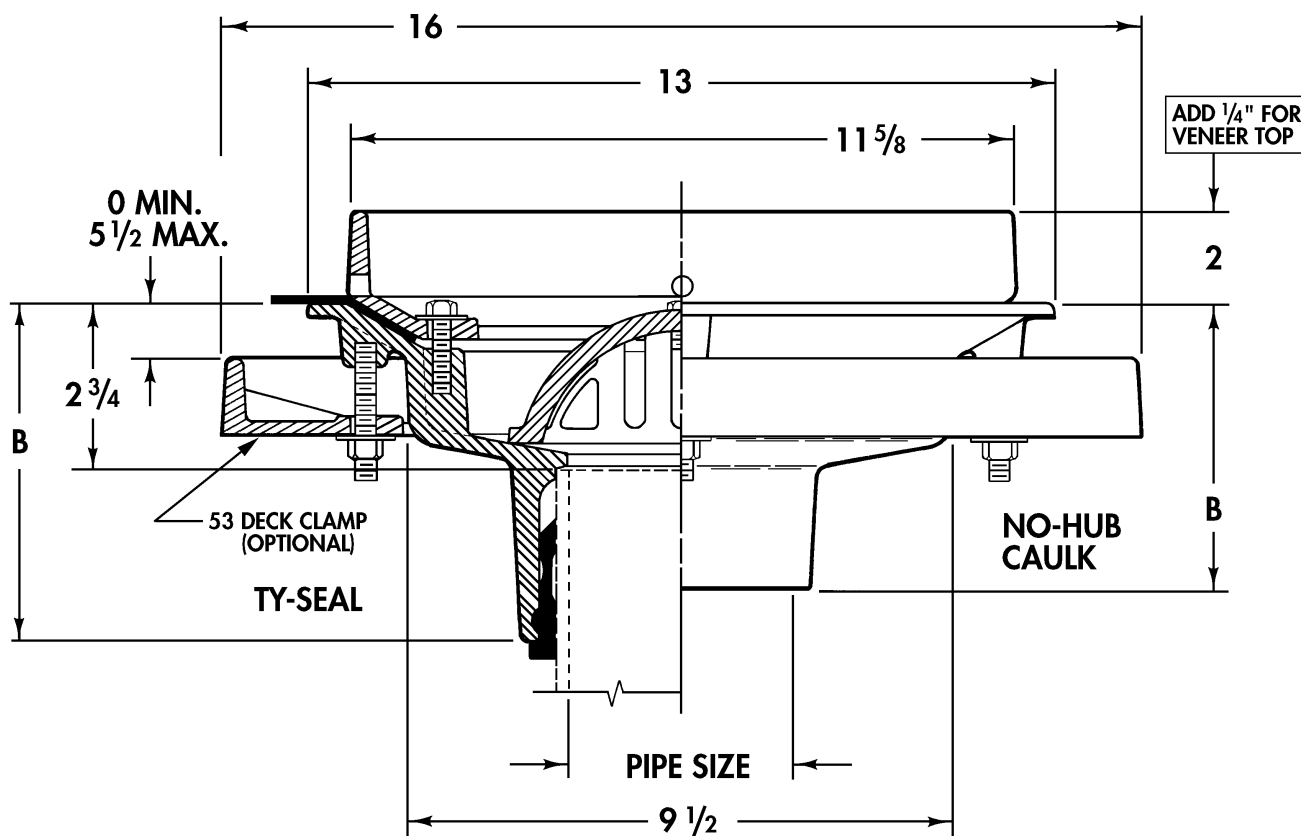


# Indirect Waste Drains

# WADE

**3220RS** Cast iron indirect waste drain with flange and internal aluminum dome strainer.



Cat. No.	Pipe Size	B TY-Seal	B No-Hub	B Caulk	Wt. Lbs.
<input type="checkbox"/> 3222RS	2	5 1/2	5	5 1/2	30
<input type="checkbox"/> <b>3223RS</b>	<b>3</b>	<b>5 3/4</b>	<b>5</b>	<b>5 1/2</b>	<b>30</b>
<input type="checkbox"/> 3224RS	4	5 3/4	5	5 1/2	30
<input type="checkbox"/> <b>3225RS</b>	<b>5</b>	-	<b>4 3/4</b>	<b>5 1/2</b>	<b>30</b>
<input type="checkbox"/> 3226RS	6	-	4 3/4	5 1/2	30

### OUTLET:

- TY ..... Ty-Seal (2", 3", 4")
- NH ..... No-Hub
- IC ..... Inside Caulk

### OPTIONS

Suffix	Description
<input type="checkbox"/> 39 .....	Galvanized Iron Parts
<input type="checkbox"/> 52 .....	Bearing Pan
<input type="checkbox"/> 53 .....	Deck Clamp