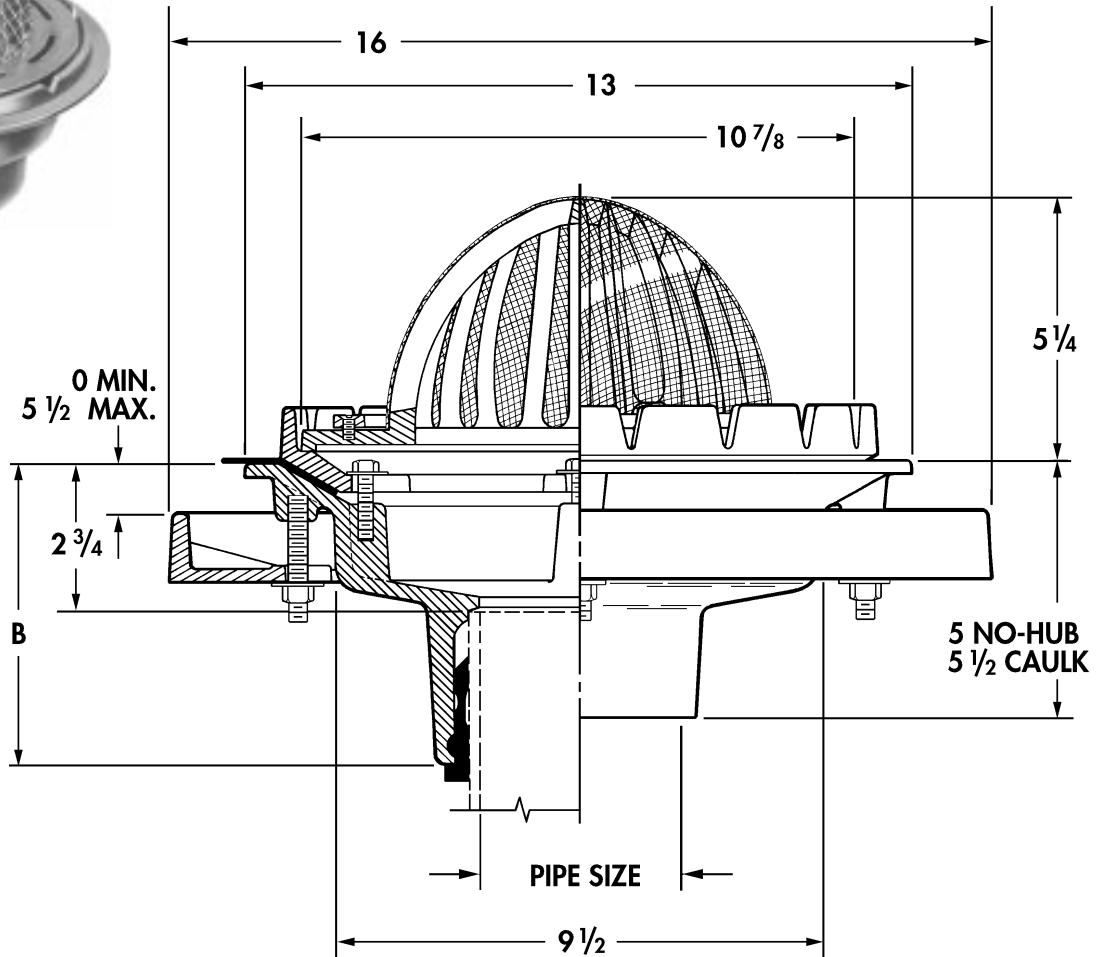


Planter Drains

WADE

3220PA Cast iron planting area drain with flashing ring and dome with secured stainless steel screen.



Cat. No.	Pipe Size	B Ty-Seal	Wt. Lbs.
<input type="checkbox"/> 3222PA	2	5 1/2	30
<input type="checkbox"/> 3223PA	3	5 3/4	30
<input type="checkbox"/> 3224PA	4	5 3/4	31
<input type="checkbox"/> 3225PA	5	-	32
<input type="checkbox"/> 3226PA	6	-	32

OUTLET:

- TY Ty-Seal (2", 3", 4")
- NH No-Hub
- IC Inside Caulk

OPTIONS

Suffix	Description
<input type="checkbox"/> 5	Vandal Proof
<input type="checkbox"/> 39	Galvanized Iron Parts (Includes CI Dome)
<input type="checkbox"/> 52	Bearing Pan
<input type="checkbox"/> 53	Deck Clamp
<input type="checkbox"/> 54	Bronze Flashing Collar
<input type="checkbox"/> 179	Security Screws