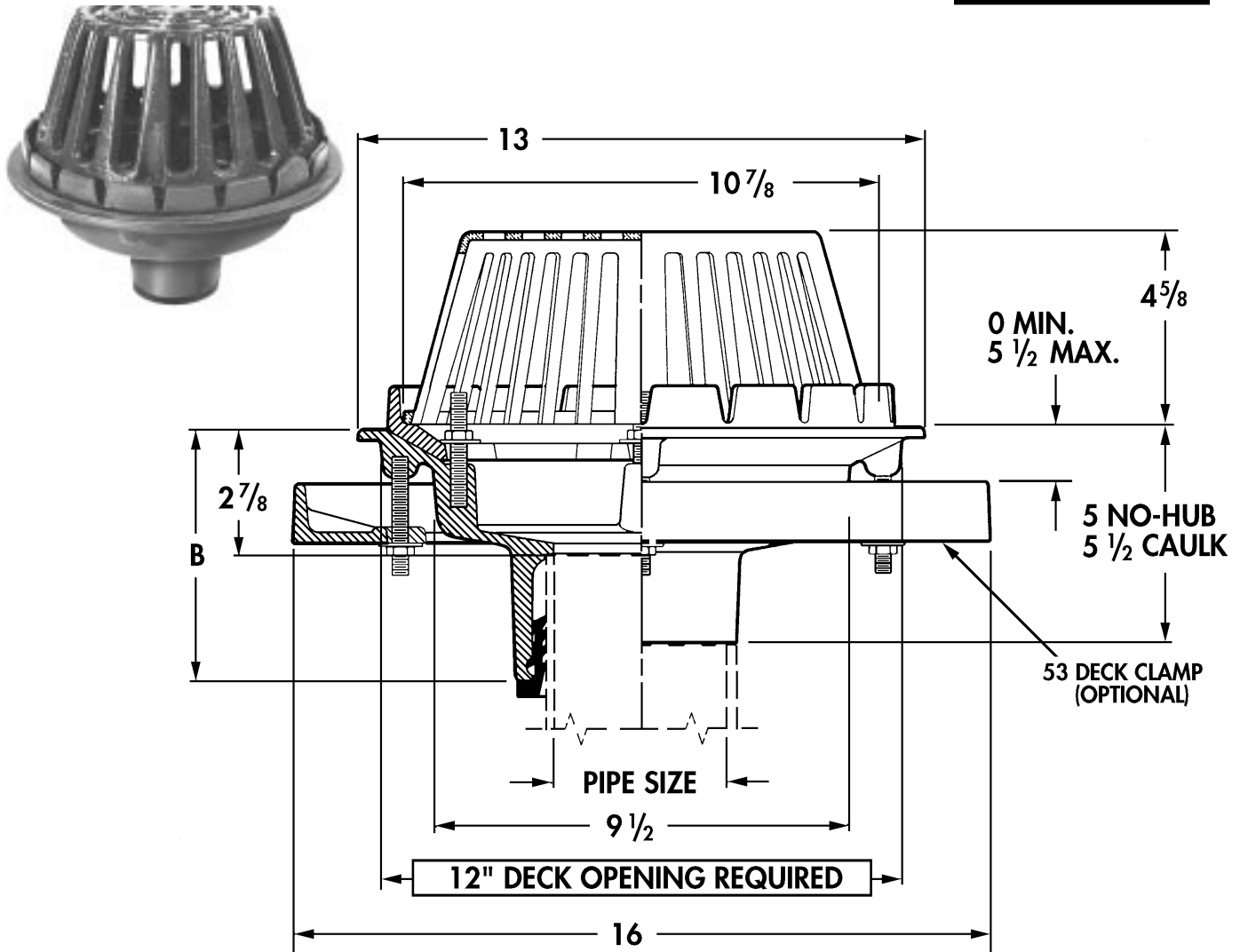


Medium Roof Drains

WADE

3220 Cast iron roof drain with flashing ring and polypropylene mushroom dome.



Cat. No.	Pipe Size	B TY-Seal	Wt. Lbs.
<input type="checkbox"/> 3222	2	5 1/2	28
<input type="checkbox"/> 3223	3	5 3/4	28
<input type="checkbox"/> 3224	4	5 3/4	29
<input type="checkbox"/> 3225	5	-	31
<input type="checkbox"/> 3226	6	-	30

OUTLET:

- TY Ty-Seal (2", 3", 4" Only)
- NH No-Hub
- IC Inside Caulk

OPTIONS

Suffix	Description
<input type="checkbox"/> 3	Rough Bronze Dome
<input type="checkbox"/> 5	Vandal Proof
<input type="checkbox"/> 39	Galvanized Iron Parts (Includes CI Dome)
<input type="checkbox"/> 42	Cast Iron Dome
<input type="checkbox"/> 46	Aluminum Dome
<input type="checkbox"/> 52	Bearing Pan
<input type="checkbox"/> 53	Deck Clamp
<input type="checkbox"/> 54	Bronze Flashing Collar

VARIATIONS

Suffix	Description
<input type="checkbox"/> DP	Perforated Gravel Stop
<input type="checkbox"/> D	Dam (2" High)
<input type="checkbox"/> FCS	Flow Control Assembly
<input type="checkbox"/> SD	Stand Pipe Assembly