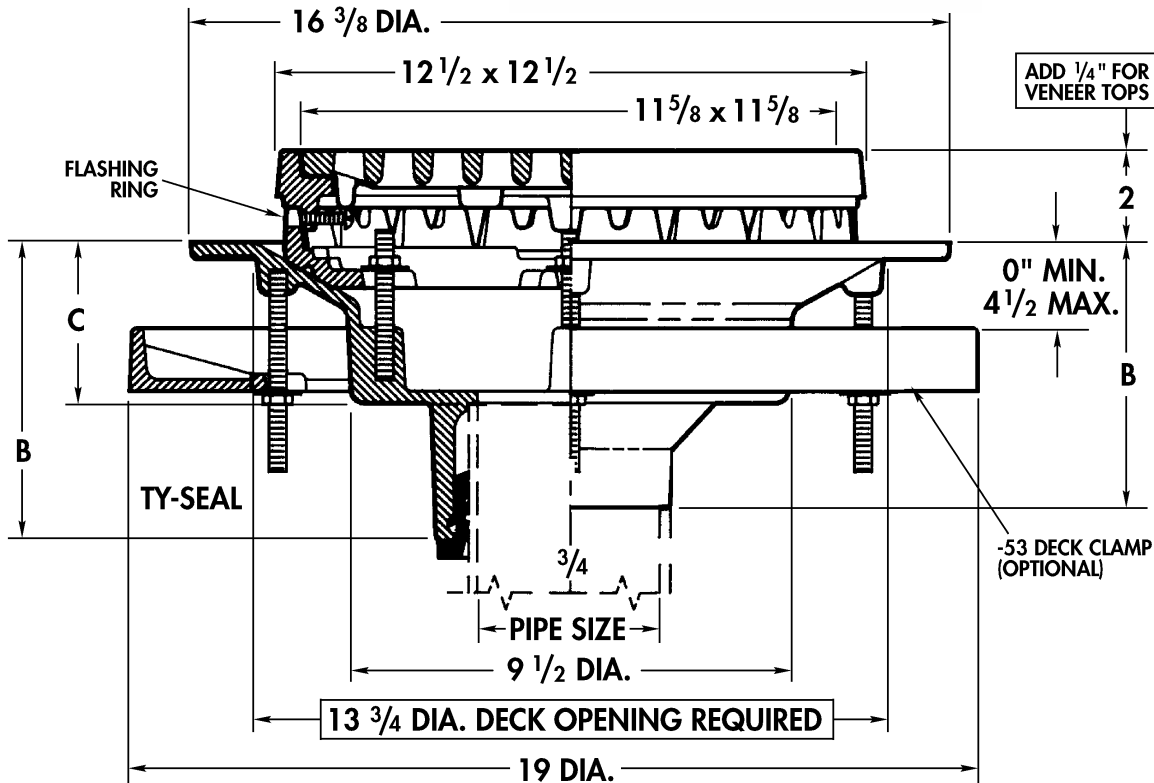


Large Deck Drains

WADE

3100 (2"-6") Cast iron deck drain with flashing ring integral with gravel stop and square promenade top with ductile iron grate or nickel bronze veneer.



Cat. No.	Pipe Size	ANSI* Load Class	B Ty-Seal	C Ty-Seal	Free Area Sq In.	Wt. Lbs.
<input type="checkbox"/> 3102	2	SD	6 3/8	3 7/8	76.4	63
<input type="checkbox"/> 3103	3	SD	6 5/8	3 7/8	76.4	65
<input type="checkbox"/> 3104	4	SD	6 7/8	3 7/8	76.4	66
<input type="checkbox"/> 3105	5	SD	-	-	76.4	87
<input type="checkbox"/> 3106	6	SD	6 3/8	3 3/8	76.4	87

*SD=Special Duty (Over 10,000 lbs.)

OPTIONS

Suffix	Description
<input type="checkbox"/> 1	Nickel Bronze Veneer Top
<input type="checkbox"/> 5	Vandal Proof
<input type="checkbox"/> 39	Galvanized Iron Parts
<input type="checkbox"/> 52	Bearing Pan
<input type="checkbox"/> 53	Deck Clamp
<input type="checkbox"/> 55	Flashing Collar Adapter (Adj. 1" - 1 1/4" ea.)
<input type="checkbox"/> 179	Security Screws

OUTLET:

- TY Ty-Seal (2", 3", 4", 6")
- NH No-Hub
- IC Inside Caulk

VARIATIONS

Suffix	Description
<input type="checkbox"/> AE	Adjustable Extension (1-6" Adj.)
<input type="checkbox"/> DF	Extension Flange (1", 2", 3", 4")
<input type="checkbox"/> DFS	Perforated Extension (2", 3", 4")



(55) Two ea. Flashing Collar Adapters (Adj. 1" - 1 1/4" ea.)