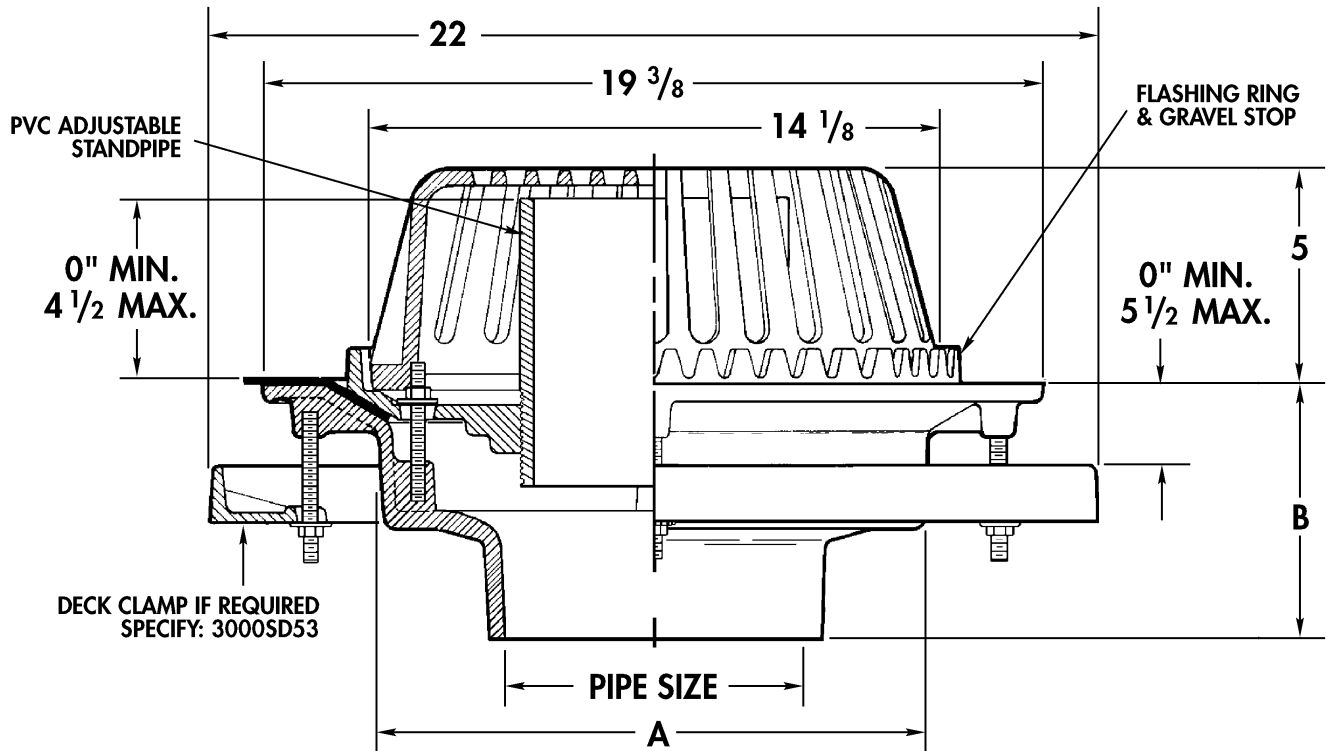


# Roof Drains w/Standpipe

**WADE**

## 3000SD (8 & 10" Outlets)

Cast iron roof drain with flashing ring and gravel stop, adjustable 6-in. dia. plastic standpipe and cast iron mushroom dome.



(3000 DRAIN WITH OPTION SD ADDED)

Cat. No.	Pipe Size	A	B	Wt. Lbs.
<input type="checkbox"/> 3008SD	8	13 3/4	6 1/4	58
<input type="checkbox"/> 3009SD	10	16 1/4	5 3/4	55

### OUTLET:

- NH ..... No-Hub
- IPS ..... Thread (8" Only)

### OPTIONS

Suffix	Description
<input type="checkbox"/> 3	Rough Bronze Dome
<input type="checkbox"/> 5	Vandal Proof
<input type="checkbox"/> 39	Galvanized Iron Parts
<input type="checkbox"/> 46	Aluminum Dome
<input type="checkbox"/> 52	Bearing Pan/Sump Receiver
<input type="checkbox"/> 53	Deck Clamp

### VARIATIONS

Suffix	Description
<input type="checkbox"/> AE	Adjustable Extension 1-6" Adj.
<input type="checkbox"/> DF	Extension Flange (1", 2", 3", 4")