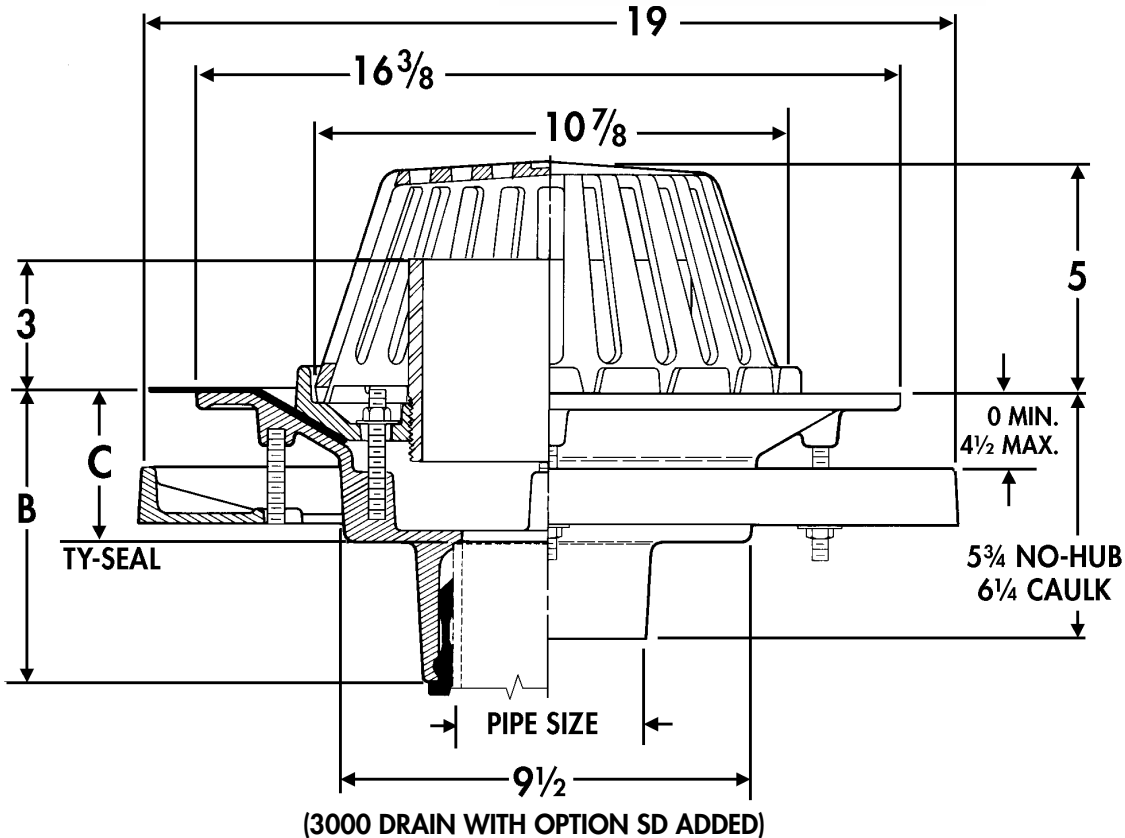


Roof Drains w/Standpipe

WADE

3000SD (2 - 6" Outlets)

Cast iron roof drain with flashing ring and gravel stop, adjustable 6-in. dia. plastic standpipe and cast iron mushroom dome.



| Cat. No. | Pipe Size | B Ty-Seal | C Ty-Seal | Wt. Lbs. |
|--|-----------|--------------|--------------|-----------|
| <input type="checkbox"/> 3002SD | 2 | 6 3/8 | 3 7/8 | 55 |
| <input type="checkbox"/> 3003SD | 3 | 6 5/8 | 3 7/8 | 58 |
| <input type="checkbox"/> 3004SD | 4 | 6 7/8 | 3 7/8 | 59 |
| <input type="checkbox"/> 3005SD | 5 | - | - | 79 |
| <input type="checkbox"/> 3006SD | 6 | 6 3/8 | 3 3/8 | 79 |

OPTIONS

| Suffix | Description |
|-----------------------------|---------------------------|
| <input type="checkbox"/> 3 | Rough Bronze Dome |
| <input type="checkbox"/> 5 | Vandal Proof |
| <input type="checkbox"/> 39 | Galvanized Iron Parts |
| <input type="checkbox"/> 46 | Aluminum Dome |
| <input type="checkbox"/> 52 | Bearing Pan/Sump Receiver |
| <input type="checkbox"/> 53 | Deck Clamp |
| <input type="checkbox"/> 54 | Bronze Flashing Collar |

OUTLET:

- TY Ty-Seal (2", 3", 4", 6")
- NH No-Hub
- IC Inside Caulk
- IPS Thread

VARIATIONS

- | Suffix | Description |
|-----------------------------|-----------------------------------|
| <input type="checkbox"/> AE | Adjustable Extension 1-6" Adj.) |
| <input type="checkbox"/> DF | Extension Flange (1", 2", 3", 4") |