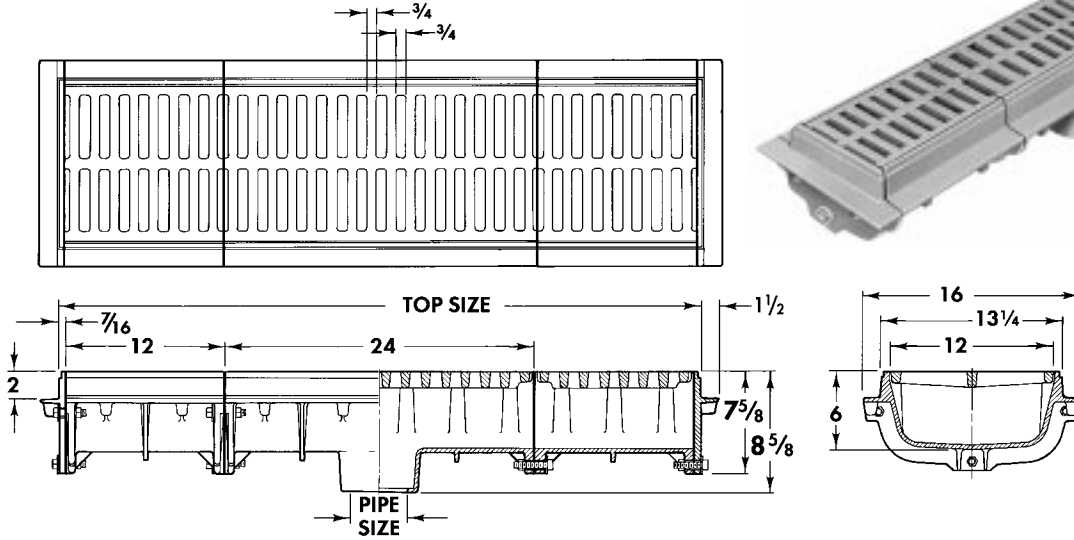


# Trench Drains

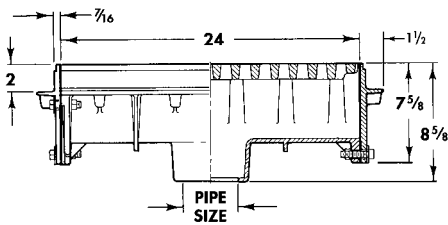


**2920** Cast iron multiple section trench drain with inside caulk outlet, flange and special duty (Over 10,000 lbs.) ductile iron loose set grates.

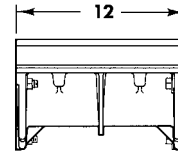
**Note:** Order outlet units by pipe size; order extension units separately to meet trench drain length requirement. Extensions fit any size outlet. Outlets shipped with two end pieces, extensions shipped separately.



**TYPICAL INSTALLATION**  
2920, 2 Ft, Outlet w/Two 2920, 1Ft, Extensions



**2920, 2 Ft, Outlet**



**2920, 1 Ft, Extension**



Cat No.	Pipe Size	ANSI* Load Class	Top Size	Free Area Sq. In.	Wt. Lbs.
<input type="checkbox"/> 2920, 2 Ft., Outlet	3	SD	13 1/4 x 24 7/8	110.0	160
<input type="checkbox"/> <b>2920, 2 Ft., Outlet</b>	<b>4</b>	<b>SD</b>	<b>13 1/4 x 24 7/8</b>	<b>110.0</b>	<b>160</b>
<input type="checkbox"/> 2920, 2 Ft., Outlet	5	SD	13 1/4 x 24 7/8	110.0	160
<input type="checkbox"/> <b>2920, 2 Ft., Outlet</b>	<b>6</b>	<b>SD</b>	<b>13 1/4 x 24 7/8</b>	<b>110.0</b>	<b>160</b>
<input type="checkbox"/> 2920, 1Ft., Extension	Fits all sizes	SD	13 1/4 x 12	55.0	67

\*SD= Special Duty (Over 10,000 lbs)

**OUTLET**

Inside Caulk Only

**OPTIONS**

Suffix	Description
<input type="checkbox"/> 1	Nickel Bronze Veneer Grates
<input type="checkbox"/> 5	Vandal Proof Screws (Standard on NB)
<input type="checkbox"/> 39	Galvanized Iron Parts
<input type="checkbox"/> 179	Security Screws