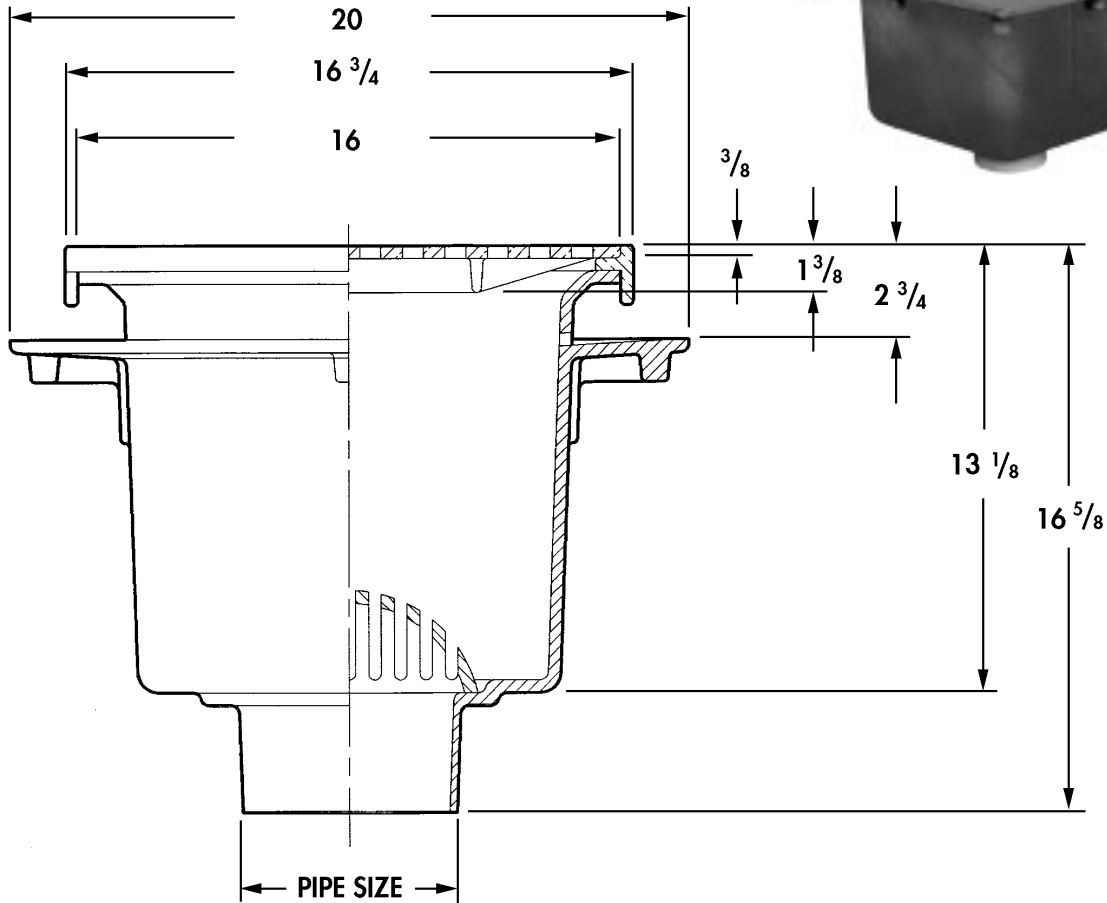


# Square Floor Drain

# WADE

## 2390 (16x16x12)

Cast iron 16" square floor drain with 12" sump, aluminum dome strainer, and ductile iron grate or nickel bronze grate.



### STANDARD DUCTILE IRON TOP

Cat. No.	Pipe Size	ANSI* Top	Load Class	B No-Hub	Flow Rate (GPM)	Free Area Sq. In.	Wt. Lbs.
<input type="checkbox"/> 2394	4	DI	XH	16 1/4	110	89.1	103
<input type="checkbox"/> <b>2396</b>	<b>6</b>	<b>DI</b>	<b>XH</b>	<b>16 1/4</b>	<b>156</b>	<b>89.1</b>	<b>103</b>
<input type="checkbox"/> 2398	8	DI	XH	16 1/4	201	89.1	103

\*XH = Extra Heavy Duty (7,500 to 10,000 lbs)

### OUTLET:

(NH) No-Hub

### OPTIONS

Suffix	Description
<input type="checkbox"/> 1	Nickel Bronze Top
<input type="checkbox"/> 5	Vandal Proof (Standard on NB)
<input type="checkbox"/> 26	Clamp Device
<input type="checkbox"/> 27	Sediment Bucket, Aluminum
<input type="checkbox"/> 31	Backwater Valve
<input type="checkbox"/> 39	Galvanized Iron Parts
<input type="checkbox"/> 179	Security Screws