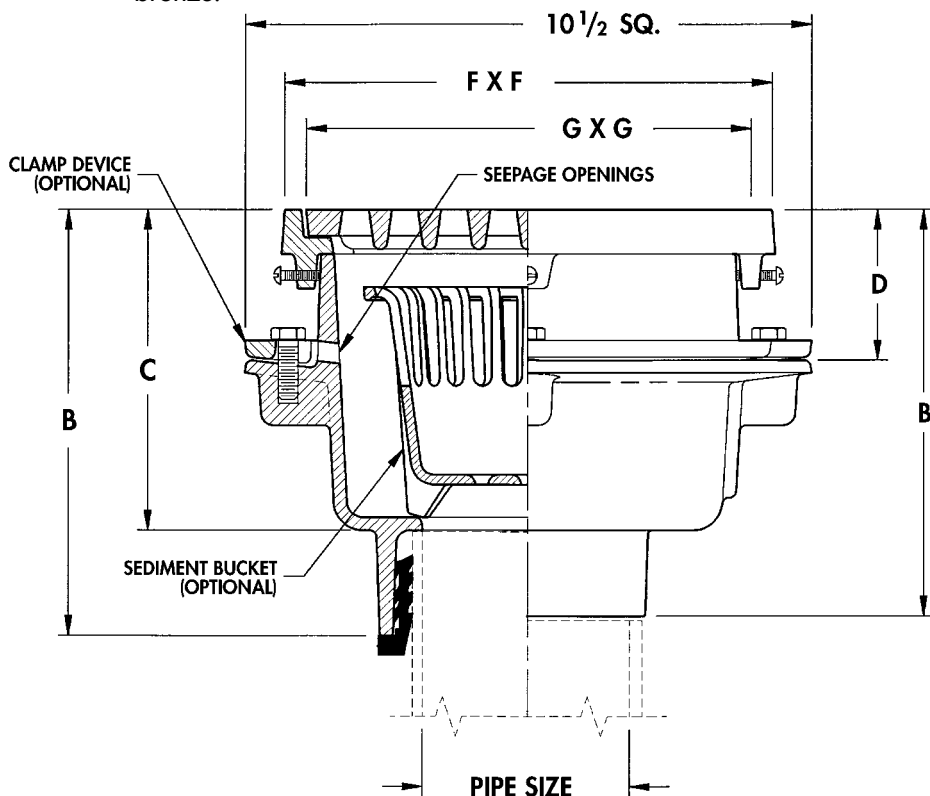


Square Floor Drains

WADE

2350 Cast iron deep sump floor drain with flange, plugged 1/2" primer tap, square top and square loose set grate of ductile iron or secured nickel bronze.



STANDARD DUCTILE IRON TOP

Cat. No.	Pipe Size	ANSI* Top	Load Class	B Ty-Seal	C Ty-Seal	B No-Hub	Caulk	Flow Rate (GPM)	Free Area Sq. In.	Wt. Lbs.	D	GxG	FxF
2352	2	DI	XH	8 1/8	6 1/8	27	25.6	23	2 7/8	8 7/16 x 8 7/16	9 1/4 x 9 1/4
2353	3	DI	XH	8 1/8	6 1/8	7 3/4	8 1/8	39	25.6	23	2 7/8	8 7/16 x 8 7/16	9 1/4 x 9 1/4
2354	4	DI	XH	8 1/8	6 1/8	7 3/4	8 1/8	51	25.6	23	2 7/8	8 7/16 x 8 7/16	9 1/4 x 9 1/4

*XH = Extra Heavy Duty (7,500 to 10,000 lbs)

NICKEL BRONZE TOP

Cat. No.	Pipe Size	ANSI* Top	Load Class	B Ty-Seal	C Ty-Seal	B No-Hub	Caulk	Flow Rate (GPM)	Free Area Sq. In.	Wt. Lbs.	D	GxG	FxF
2352,1	2	NB	LD	7 3/4	5 3/4	27	16.0	23	2 1/2	7 7/16 x 7 7/16	8 1/2 x 8 1/2
2353,1	3	NB	LD	7 3/4	5 3/4	7 3/8	7 3/4	39	16.0	23	2 1/2	7 7/16 x 7 7/16	8 1/2 x 8 1/2
2354,1	4	NB	LD	7 3/4	5 3/4	7 3/8	7 3/4	51	16.0	23	2 1/2	7 7/16 x 7 7/16	8 1/2 x 8 1/2

*LD = Light Duty (Under 2,000 lbs)

OUTLET:

- (TY) Ty-Seal (2", 3", 4")
- (NH) No-Hub (3", 4")
- (IC) Inside Caulk (3", 4")

OPTIONS

Suffix	Description
<input type="checkbox"/> 1	Nickel Bronze Top
<input type="checkbox"/> 5	Vandal Proof (Standard on NB)
<input type="checkbox"/> 8	Secondary Strainer
<input type="checkbox"/> 9	Secondary Dome Strainer (N/A with Bucket)
<input type="checkbox"/> 26	Clamp Device
<input type="checkbox"/> 27	Sediment Bucket, Aluminum
<input type="checkbox"/> 31	Backwater Valve
<input type="checkbox"/> 39	Galvanized Iron Parts
<input type="checkbox"/> 179	Security Screws