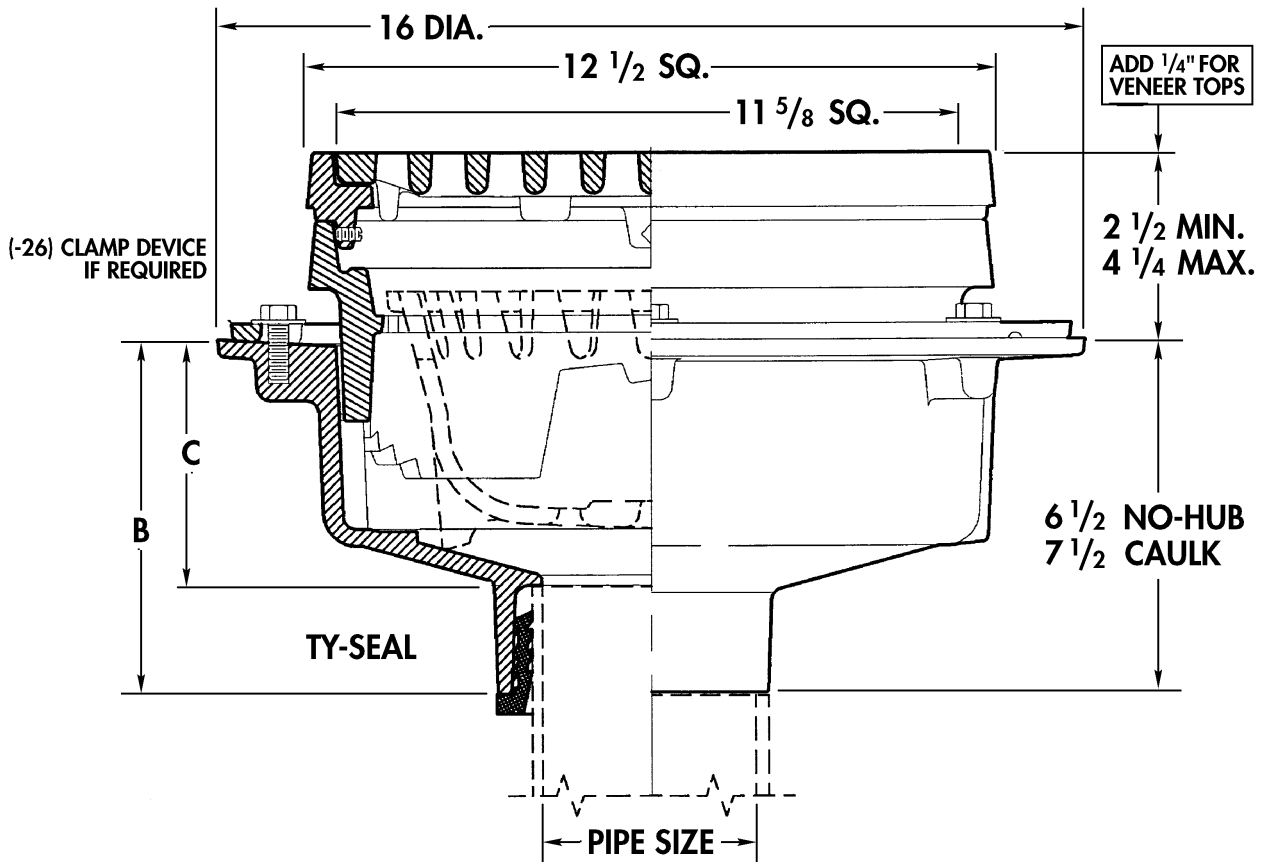


Square Floor Drains

WADE

2340 Cast iron adjustable floor drain with flange, plugged 1/2" primer tap, integral clamping collar and square loose-set ductile iron grate with anti-tilt lugs.



Cat. No.	Pipe Size	ANSI*B Load Class	B Ty-Seal	C Ty-Seal	Flow Rate GPM	Free Area Sq. In.	Wt. Lbs.
<input type="checkbox"/> 2342	2	SD	6 7/8	4 7/8	38	76.4	96
<input type="checkbox"/> 2343	3	SD	6 3/4	4 3/4	71	76.4	96
<input type="checkbox"/> 2344	4	SD	6 3/8	4 3/8	104	76.4	96
<input type="checkbox"/> 2346	6	SD	6 1/4	4 1/4	150	76.4	96
<input type="checkbox"/> 2348	8	SD	N/A	N/A	195	76.4	96

*SD = Special Duty (Over 10,000 lbs)

OPTIONS

Suffix	Description
<input type="checkbox"/> 1	Nickel Bronze Veneer Top
<input type="checkbox"/> 5	Vandal Proof (Standard on NB)
<input type="checkbox"/> 8	Secondary Strainer
<input type="checkbox"/> 14	Hinged Top
<input type="checkbox"/> 19	Locking Grate
<input type="checkbox"/> 23	Grate Riser Each 2" High
<input type="checkbox"/> 27	Sediment Bucket, Aluminum
<input type="checkbox"/> 31	Backwater Valve
<input type="checkbox"/> 39	Galvanized Iron Parts
<input type="checkbox"/> 179	Security Screws

OUTLET:

- (TY) Ty-Seal (2", 3", 4", 6")
- (NH) No-Hub (3", 4", 6", 8")
- (IC) Inside Caulk (3", 4", 6", 8")