

Isolation Floor Drains

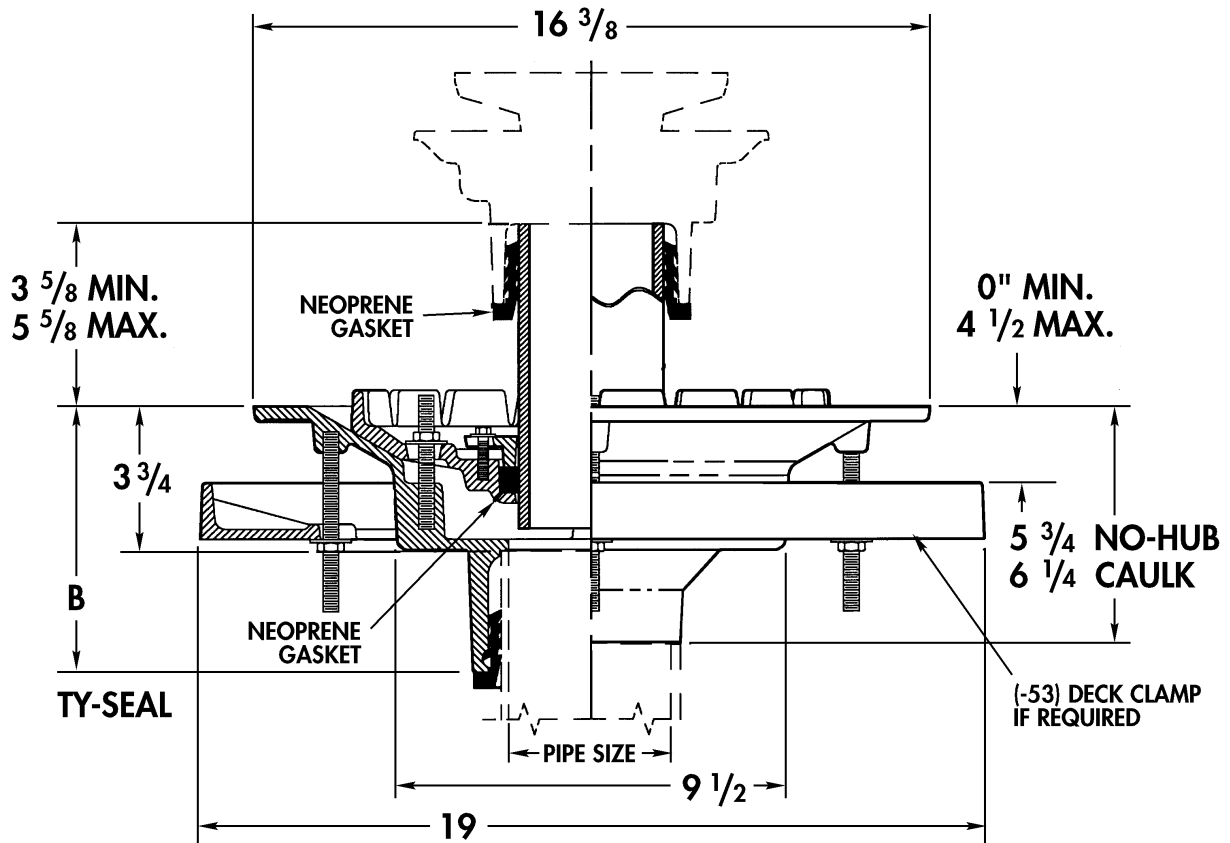
WADE

2000 Cast iron isolation floor drain body with flange, integral clamping collar and 3-in. diameter plastic stand pipe, 8-in. tall. **NOTE: NO UPPER DRAIN OR CLEANOUT FURNISHED; ORDER 3-IN UPPER UNIT SEPARATELY. ONLY 3-IN WILL FIT.**



2000 Shown with 1100 Added

2000 Shown with 1300 Added



OPTIONS

Cat. No.	Pipe Size	B Ty-Seal	Wt. Lbs.
2002	2	6 1/4	49
2003	3	6 1/2	49
2004	4	6 3/4	49

Suffix	Description
39	Galvanized Iron Parts
52	Bearing Pan
53	Deck Clamp

OUTLET:

- (TY) Ty-Seal
- (NH) No-Hub
- (IC) Inside Caulk