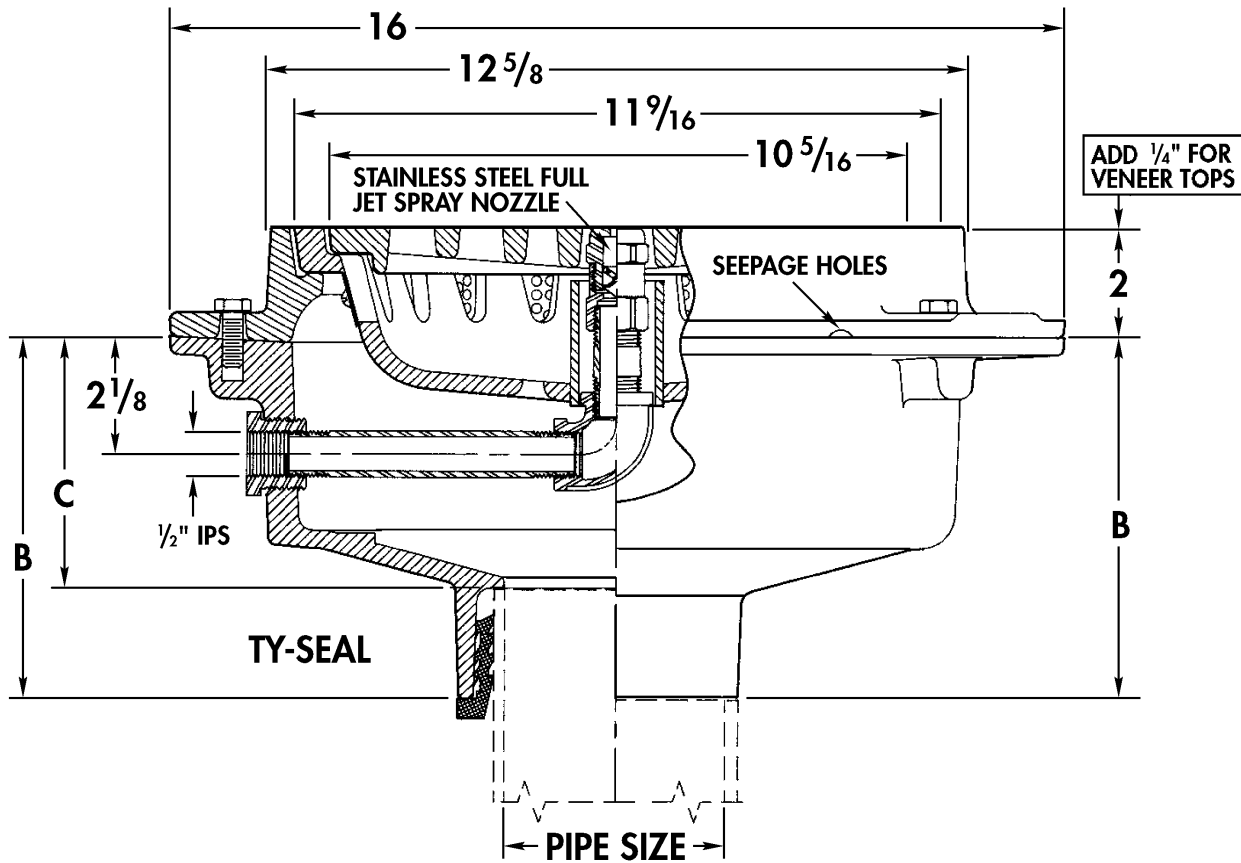


Garbage Can Wash Drains



1980 Cast iron bottom outlet floor drain with flange, seepage openings, sediment bucket with stainless steel mesh liner and garbage can spray wash unit; ductile iron grate supported by bucket.



OPTIONS

Suffix	Description
1	Nickel Bronze Veneer Top
179	Security Screws

Cat. No.	Pipe Size	ANSI* Load Class	B Ty-Seal	C Ty-Seal	Flow Rate (GPM)	Free Area Sq. In.	Wt. Lbs.
1983	3	XH	12	9 1/4	72	32.2	91
1984	4	XH	12 1/4	9	105	32.2	94
1986	6	XH	12	9	150	32.2	94

*XH = Extra Heavy Duty (7,500 to 10,000 lbs)

OUTLET:

- (TY) Ty-Seal
- (NH) No-Hub
- (IC) Inside Caulk