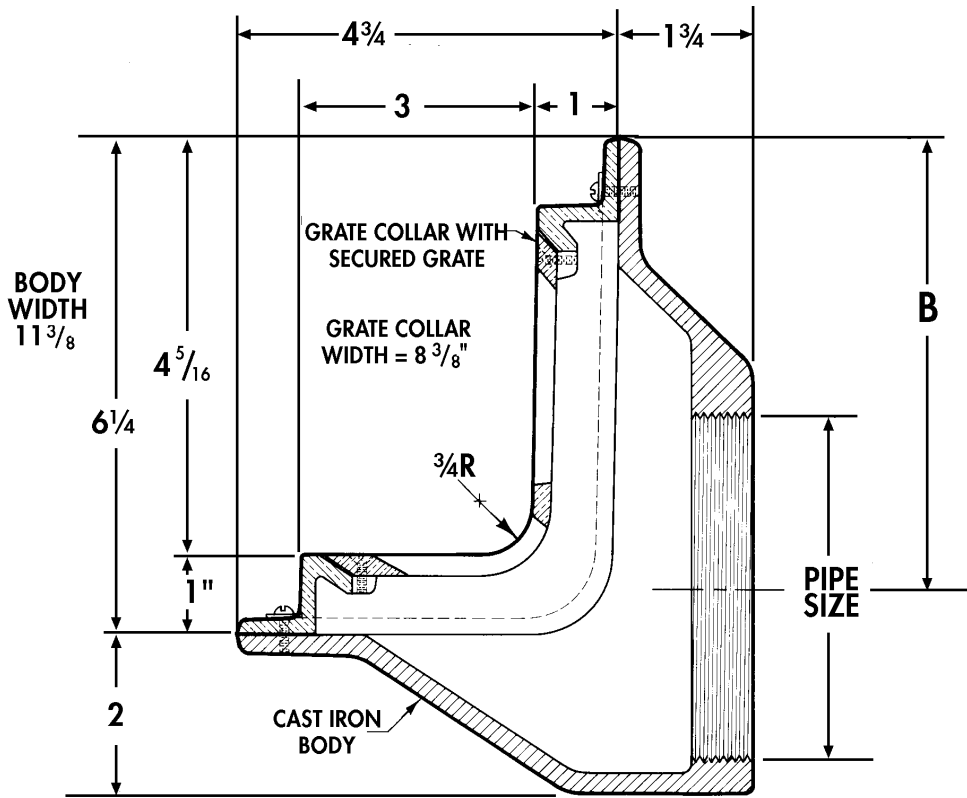


Shower Drains

WADE

1790 Cast iron side outlet floor or shower angle drain with integral clamping collar, 1" high grate ledge and secured nickel bronze angle grate.



Cat. No.	Pipe Size	ANSI* Load Class	B	Free Area Sq. In.	Wt. Lbs.
1792	2	LD	6 3/4	16.4	19
1793	3	LD	6 1/4	16.4	17
1794	4	LD	5 1/2	16.4	17

*LD = Light Duty (Under 2,000 lbs)

OPTIONS

Suffix	Description
39.....	Galvanized Iron Parts
179.....	Security Screws

NOTE: Available with Nickel-Bronze grate only.

OUTLETS

Thread Only