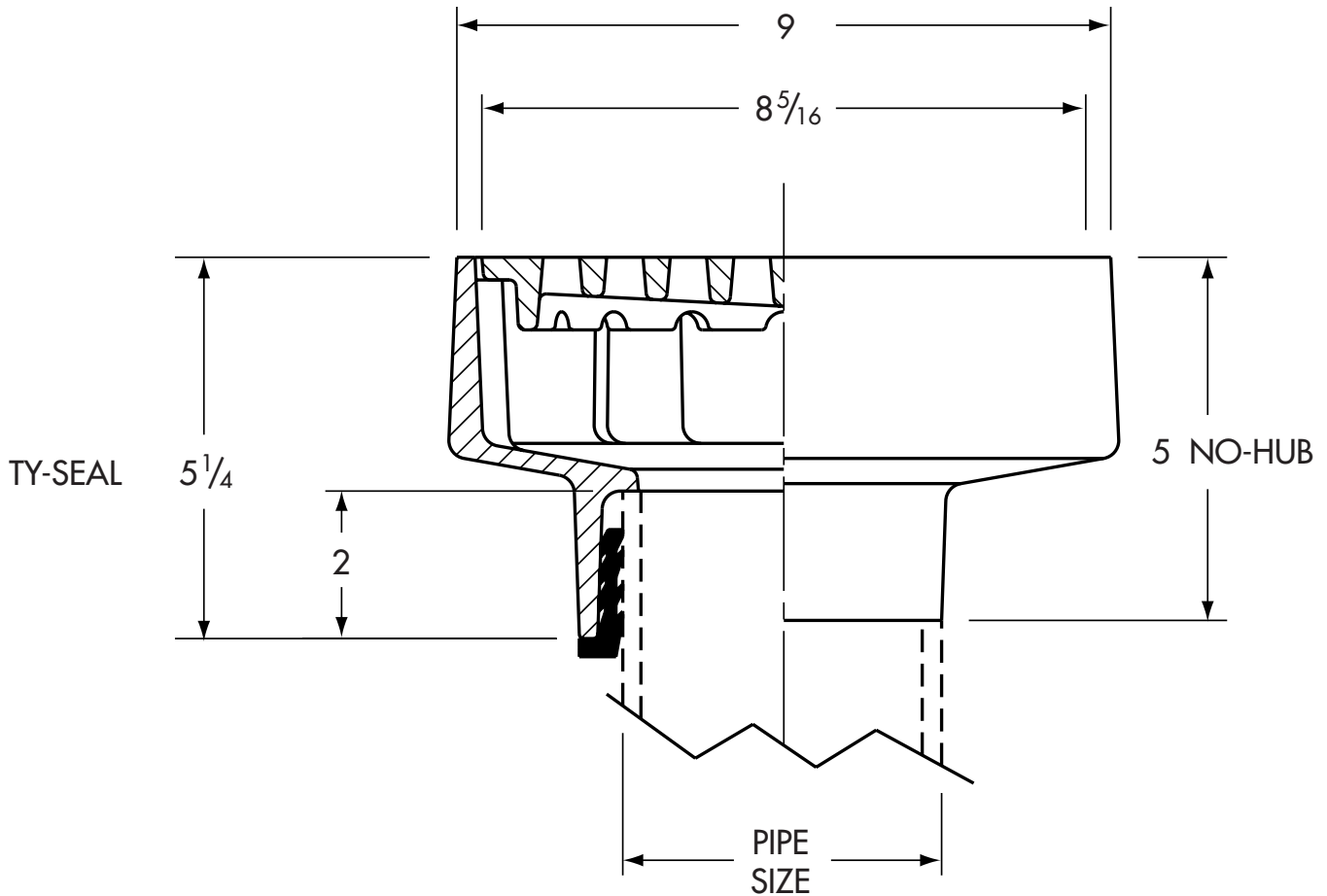


Large Floor Drains

WADE

1640 Cast iron medium depth floor drain with grate and plugged 1/2" primer tap.



OPTIONS

| Cat. No. | Pipe Size | ANSI* Load Class | Flow Rate Ty-Seal | Free Area Sq. In. | Wt. Lbs. |
|--------------------------------------|-----------|------------------|-------------------|-------------------|-----------|
| <input type="checkbox"/> 1642 | 2 | | | | 17 |
| <input type="checkbox"/> 1643 | 3 | | | | 17 |
| <input type="checkbox"/> 1644 | 4 | | | | 17 |

*XD = Extra Heavy Duty (7,500 to 10,000 lbs.)
(For optional funnels, see page 3-2)

OUTLET:

- (NH) No-Hub
- (TY) Ty-Seal

| Suffix | Description |
|------------------------------|-------------------------------|
| <input type="checkbox"/> 1 | Nickel Bronze Veneer Top |
| <input type="checkbox"/> 4 | Square Frame (NB Only) |
| <input type="checkbox"/> 5 | Vandal Proof (Standard on NB) |
| <input type="checkbox"/> 7 | Dome Grate (DI Only) |
| <input type="checkbox"/> 8 | Secondary Strainer |
| <input type="checkbox"/> 18 | Solid Cover Package |
| <input type="checkbox"/> 23 | Grate Riser Each 1 1/2" High |
| <input type="checkbox"/> 27 | Sediment Bucket |
| <input type="checkbox"/> 31 | Backwater Valve |
| <input type="checkbox"/> 39 | Galvanized Iron Parts |
| <input type="checkbox"/> 179 | Security Screws |