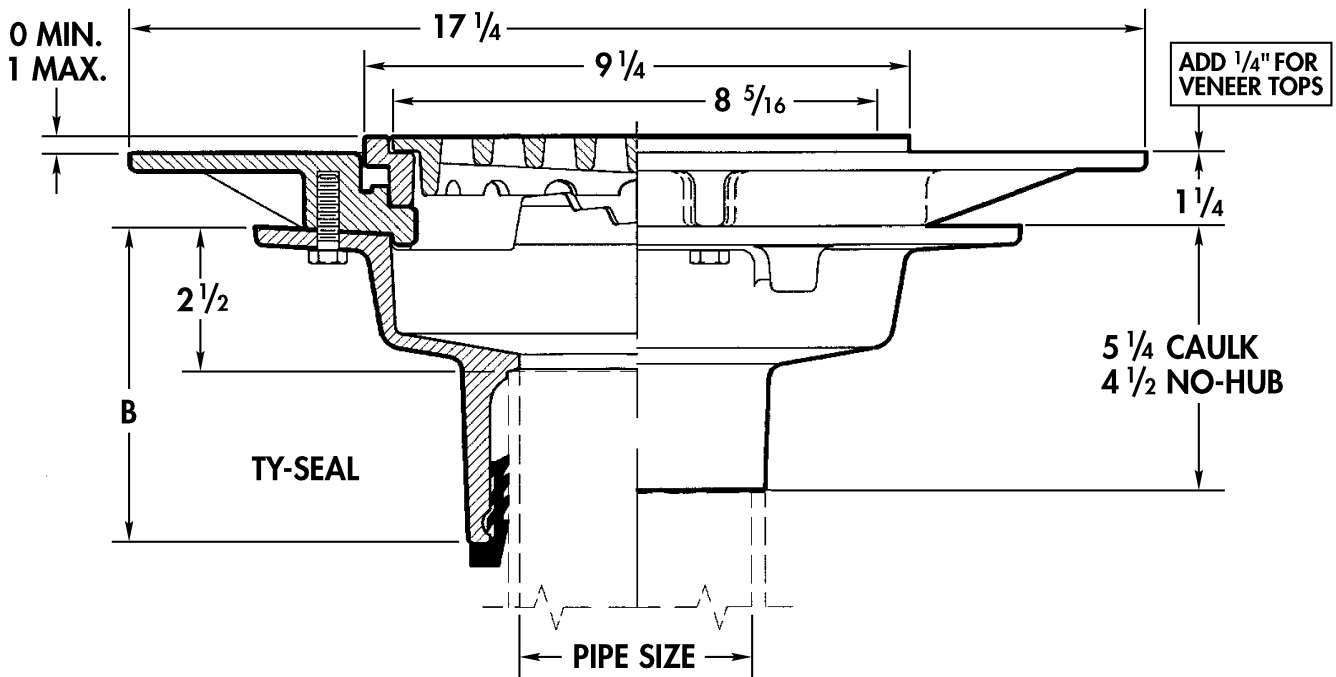


Wide Flange Floor Drains

WADE

1310E Cast iron floor drain with wide latex troweling flange, adjustable collar, integral clamp device, medium sump bottom outlet, ductile iron loose set tractor grate, and 1/2" trap primer connection (plugged).



Cat. No.	Pipe Size	B Ty-Seal	ANSI* Load Class	Flow Rate (GPM)	Free Area Sq. In.	Wt. Lbs.
<input type="checkbox"/> 1312E	2	5	XH	30	18.3	40
<input type="checkbox"/> 1313E	3	5 1/4	XH	50	18.3	40
<input type="checkbox"/> 1314E	4	5 1/2	XH	80	18.3	40

*XH = Extra Heavy Duty (7,500 to 10,000 lbs.)

OUTLET:

- (TY) Ty-Seal
- (NH) No-Hub
- (IC) Inside Caulk

OPTIONS

Suffix	Description
<input type="checkbox"/> 1	Nickel Bronze Veneer Top
<input type="checkbox"/> 5	Vandal Proof (Standard on NB)
<input type="checkbox"/> 7	Dome Grate (CI Only)
<input type="checkbox"/> 8	Secondary Strainer
<input type="checkbox"/> 18	Solid Cover Package
<input type="checkbox"/> 27	Sediment Bucket, Aluminum
<input type="checkbox"/> 31	Backwater Valve
<input type="checkbox"/> 179	Security Screws

(For optional funnels, see page 3-2)