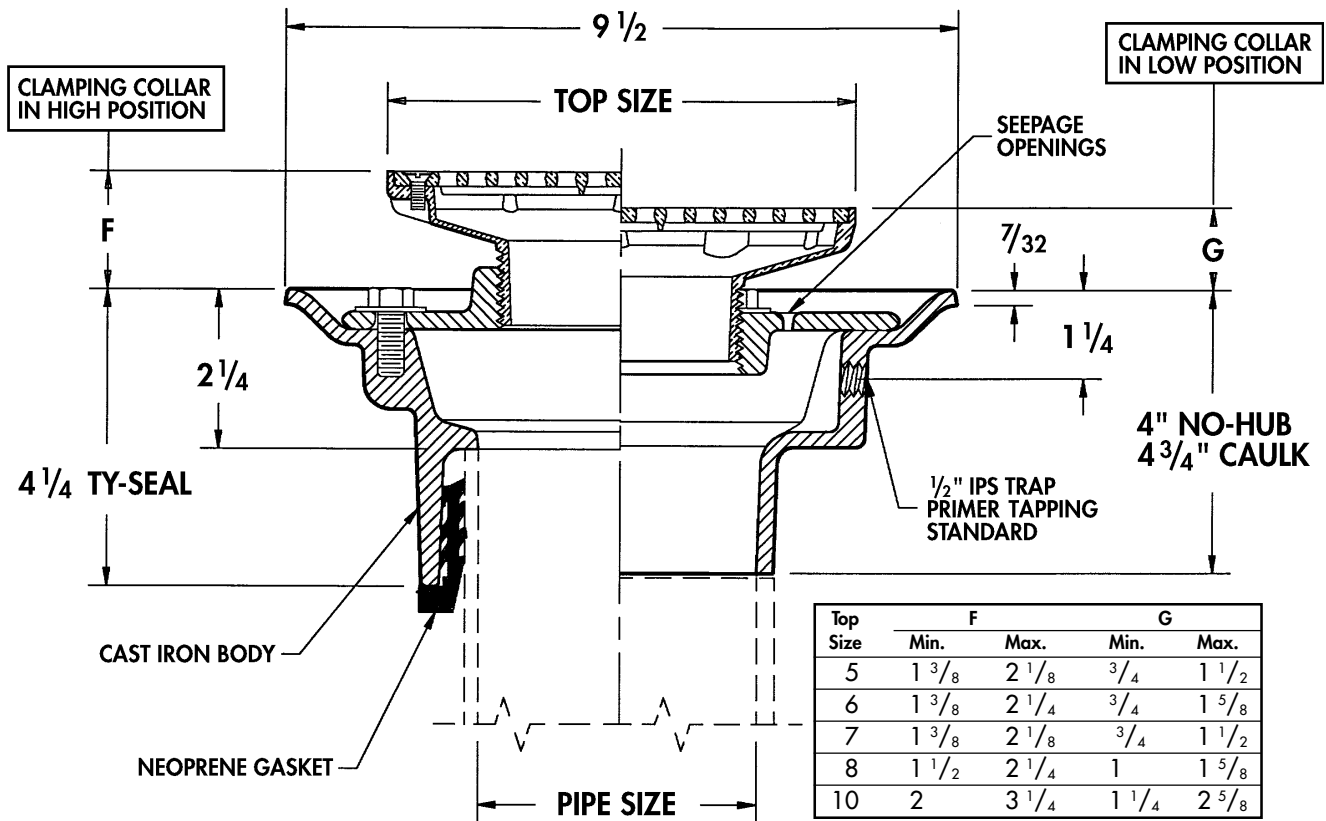


Floor Drains with Adjustable Strainers

WADE

1100STD Cast iron floor drain with flange, integral reversible clamping collar, seepage openings, 1/2" plugged primer tap, and _____" dia. nickel bronze strainer with vandal proof screws.



Top Size	F		G	
	Min.	Max.	Min.	Max.
5	1 3/8	2 1/8	3/4	1 1/2
6	1 3/8	2 1/4	3/4	1 5/8
7	1 3/8	2 1/8	3/4	1 1/2
8	1 1/2	2 1/4	1	1 5/8
10	2	3 1/4	1 1/4	2 5/8

OUTLET:

- (TY) Ty-Seal
- (NH) No-Hub
- (IC) Inside Caulk

OPTIONS

- | Suffix | Description |
|------------------------------|--|
| <input type="checkbox"/> 27 | Sediment Bucket |
| <input type="checkbox"/> 31 | Backwater Valve |
| <input type="checkbox"/> 39 | Galvanized Iron Parts |
| <input type="checkbox"/> 94 | Extension Adaptor |
| <input type="checkbox"/> 94 | Extension Adaptor, Galvanized |
| <input type="checkbox"/> 179 | Security Screws |
| <input type="checkbox"/> EF4 | 4" Dia. Funnel |
| <input type="checkbox"/> EF6 | 6" Dia. Funnel |
| <input type="checkbox"/> EG6 | 2 1/2 x 6 1/8 Elongated Funnel (NB Only) |
| <input type="checkbox"/> EG8 | 3 1/2 x 8 1/4" Elongated Funnel (Type EG Requires 6" Dia. Strainer Min.) |

Cat. No.	Pipe Size	Top Size	ANSI* Load Class	Flow Rate (GPM)	Free Area Sq. In.	Wt. Lbs.
<input type="checkbox"/> 1102STD5	2	5	L.D.	14	5.8	16
<input type="checkbox"/> 1102STD6	2	6	L.D.	20	7.7	16
<input type="checkbox"/> 1103STD5	3	5	L.D.	20	5.8	17
<input type="checkbox"/> 1103STD6	3	6	L.D.	27	7.7	18
<input type="checkbox"/> 1103STD7	3	7	L.D.	33	10.6	18
<input type="checkbox"/> 1103STD8	3	8	L.D.	40	14.0	20
<input type="checkbox"/> 1104STD6	4	6	L.D.	33	7.7	20
<input type="checkbox"/> 1104STD7	4	7	L.D.	43	10.6	21
<input type="checkbox"/> 1104STD8	4	8	L.D.	57	14.0	23
<input type="checkbox"/> 1104STD10†	4	10	L.D.	65	32.2	26

For optional strainers see pages 3-12, 3-15.

*L.D.= Light Duty (Under 2000 lbs.)

†STD 10 has circular slot grate.