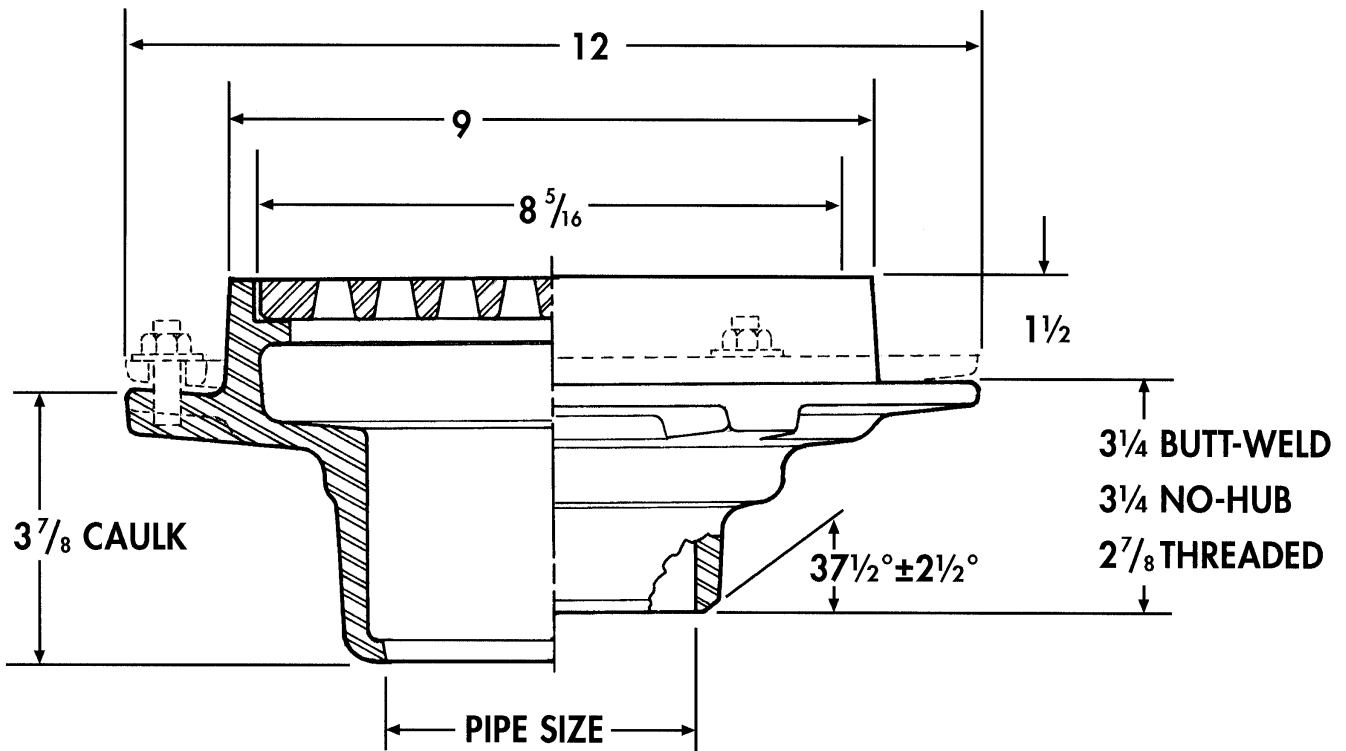


Stainless Steel Floor Drains

WADE

1300SS Stainless steel floor drain with secured grate. Bottom outlets include: Schedule 40 BW (Butt Weld), IC (Inside Caulk), IPS (Thread) and NH (spigot).



Cat. No.	Pipe Size	ANSI* Load Class	Flow Rate (GPM)	Free Area Sq. In.	Wt. Lbs.
<input type="checkbox"/> 1302SS	2	MD	30	18.3	23.0
<input type="checkbox"/> 1303SS	3	MD	50	18.3	23.5
<input type="checkbox"/> 1304SS	4	MD	80	18.3	24.0

*HD = Heavy Duty (5,000 to 7,999 lbs.)

OUTLET:

- (BW40) Butt Weld
- (IC) Inside Caulk
- (IPS) Thread
- (NH) Spigot

OPTIONS

- | Suffix | Description |
|------------------------------------|---|
| <input type="checkbox"/> 8 | Secondary Strainer, Stainless Steel |
| <input type="checkbox"/> 18 | Solid Cover Package |
| <input type="checkbox"/> 23 | Grate Riser Each 2" High |
| <input type="checkbox"/> 26 | Clamp Device |
| <input type="checkbox"/> 27 | Sediment Bucket, Fabricated Stainless Steel |
| <input type="checkbox"/> 179 | Security Screws |
| <input type="checkbox"/> EF4 | Funnel, Stainless Steel |
| <input type="checkbox"/> EG8 | Funnel, Stainless Steel |