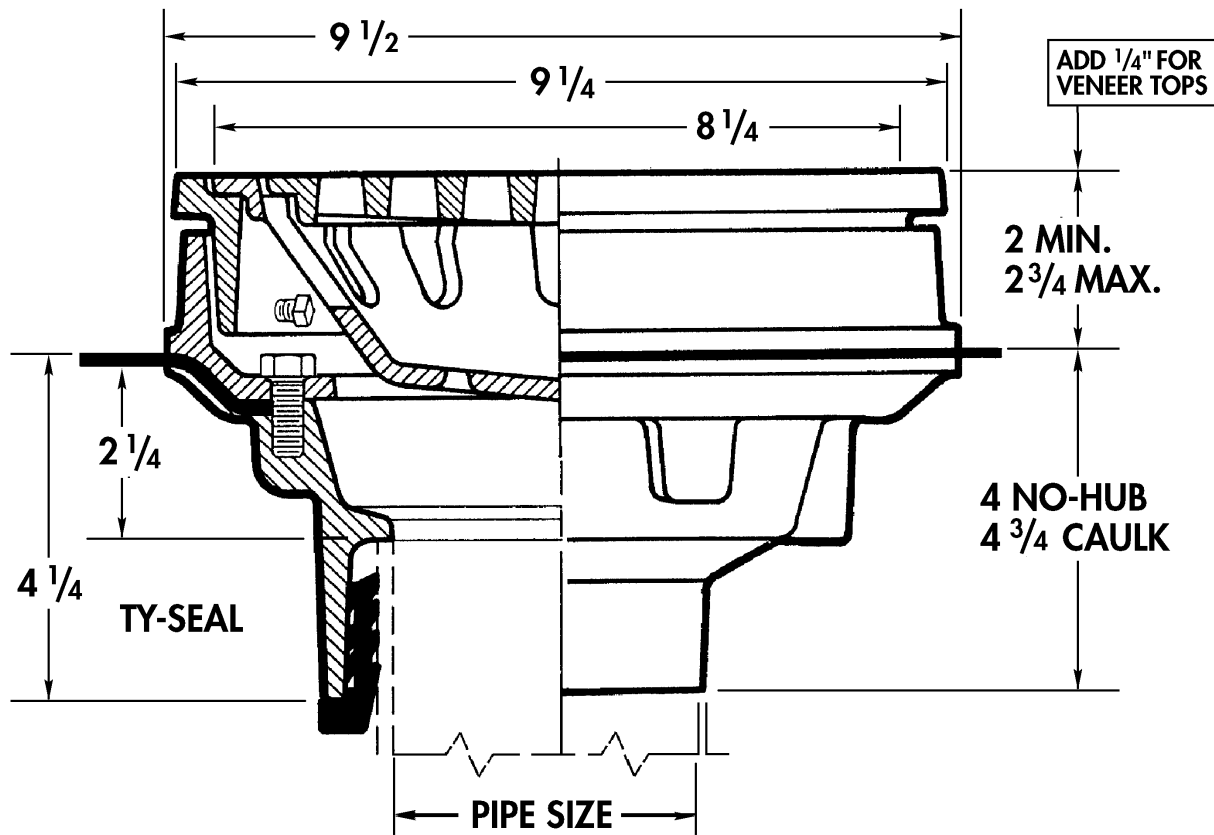


Floor Drains with Vertical Adjustment

WADE

1300TD Cast iron floor drain with integral clamping collar, plugged 1/2" primer tap, seepage openings, adjustable top and ductile iron grate supported by bucket.



Cat. No.	Pipe Size	ANSI* Load Class	B Ty-Seal	Free Area Sq. In.	Wt. Lbs.
<input type="checkbox"/> 1302TD	2	XH	4 3/4	9.1	27
<input type="checkbox"/> 1303TD	3	XH	5	9.1	29
<input type="checkbox"/> 1304TD	4	XH	5 1/4	9.1	31

*XH = Extra Heavy Duty (7,500 to 10,000 lbs.)

OUTLET:

- (TY) Ty-Seal
- (NH) No-Hub
- (IC) Inside Caulk

OPTIONS

Suffix	Description
<input type="checkbox"/> 1	Nickel Bronze Veneer Top
<input type="checkbox"/> 4	Square Frame (NB Only)
<input type="checkbox"/> 5	Vandal Proof (Standard on NB)
<input type="checkbox"/> 23	Grate Riser Each 1 1/2" High
<input type="checkbox"/> 31	Backwater Valve
<input type="checkbox"/> 39	Galvanized Iron Parts
<input type="checkbox"/> 179	Security Screws

(For optional funnels, see page 3-2)