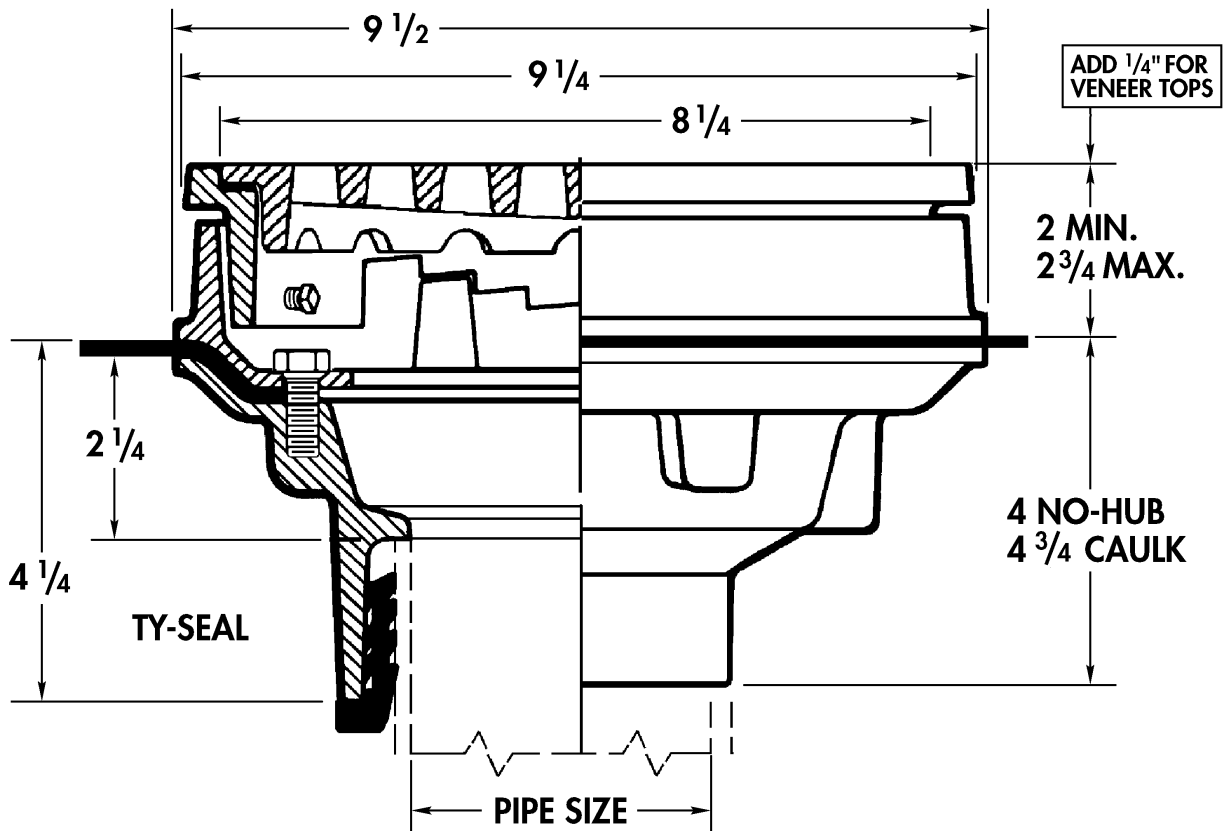


# Floor Drains with Vertical Adjustment

**WADE**

**1300** Cast iron floor drain with integral clamping collar, plugged 1/2" primer tap, seepage openings, adjustable top and ductile iron tractor type loose set grate.



Cat. No.	Pipe Size	ANSI* Load Class	Flow Rate Ty-Seal	Free Area Sq. In.	Wt. Lbs.
<input type="checkbox"/> 1302	2	XH	30	18.3	24
<input type="checkbox"/> <b>1303</b>	<b>3</b>	<b>XH</b>	<b>50</b>	<b>18.3</b>	<b>26</b>
<input type="checkbox"/> 1304	4	XH	80	18.3	28

\*XD = Extra Heavy Duty (7,500 to 10,000 lbs.)  
(For optional funnels, see page 3-2)

**OUTLET:**

- ( TY) Ty-Seal
- ( NH) No-Hub
- ( IC) Inside Caulk

**OPTIONS**

- | Suffix                       | Description                   |
|------------------------------|-------------------------------|
| <input type="checkbox"/> 1   | Nickel Bronze Veneer Top      |
| <input type="checkbox"/> 4   | Square Frame (NB Only)        |
| <input type="checkbox"/> 5   | Vandal Proof (Standard on NB) |
| <input type="checkbox"/> 7   | Dome Grate (DI Only)          |
| <input type="checkbox"/> 8   | Secondary Strainer            |
| <input type="checkbox"/> 18  | Solid Cover Package           |
| <input type="checkbox"/> 23  | Grate Riser Each 1 1/2" High  |
| <input type="checkbox"/> 27  | Sediment Bucket, Aluminum     |
| <input type="checkbox"/> 31  | Backwater Valve               |
| <input type="checkbox"/> 39  | Galvanized Iron Parts         |
| <input type="checkbox"/> 179 | Security Screws               |