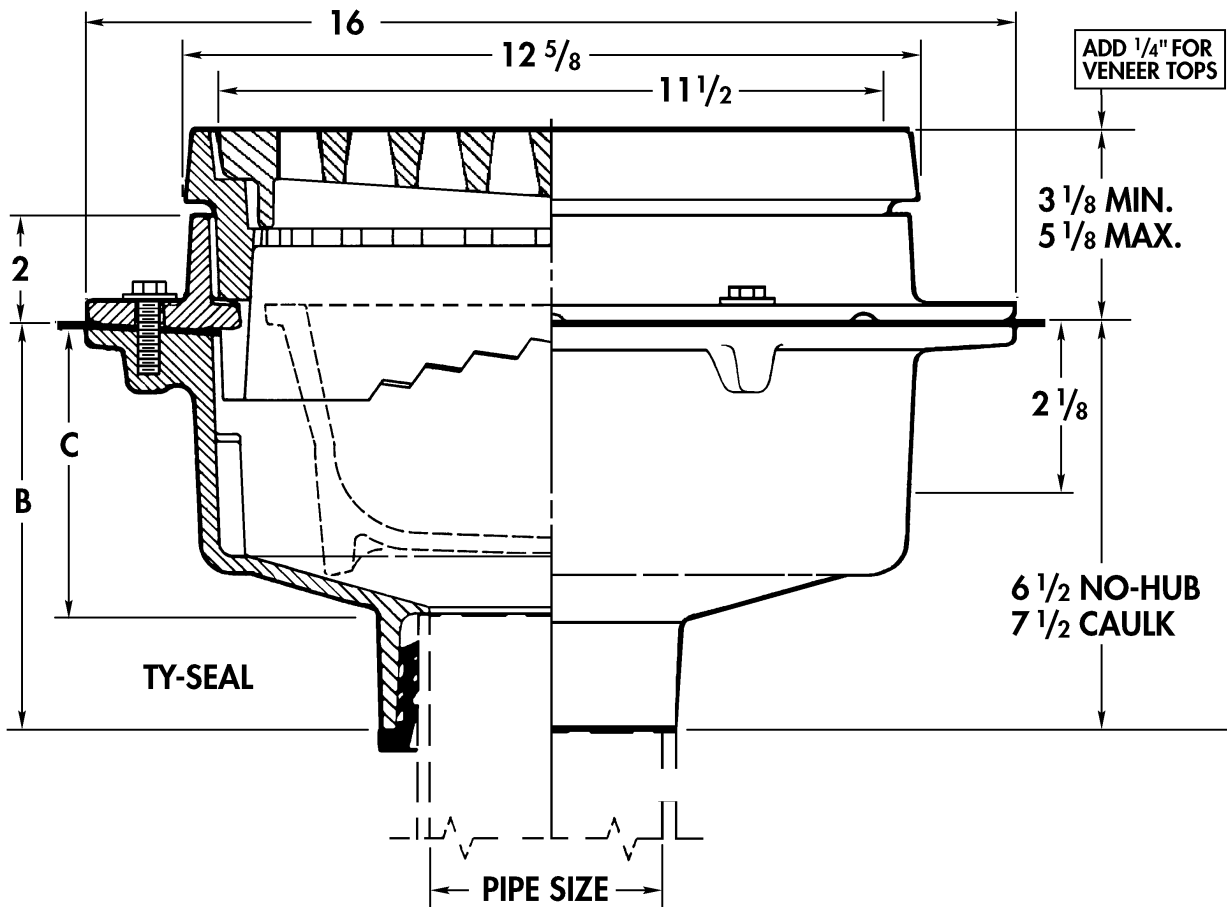


Floor Drains with Vertical Adjustments

WADE

1240 Cast iron floor drain with plugged $\frac{1}{2}$ " primer tap, integral clamping collar, seepage openings, adjustable collar, and ductile iron loose set tractor grate.



Cat. No.	Pipe Size	ANSI* Load Class	B Ty-Seal	C	Flow Rate (GPM)	Free Area Sq. In.	Wt. Lbs.
<input type="checkbox"/> 1242	2	SD	8	5 1/2	38	39.0	86
<input type="checkbox"/> 1243	3	SD	8	5 1/4	71	39.0	86
<input type="checkbox"/> 1244	4	SD	8 1/4	5 1/4	104	39.0	86
<input type="checkbox"/> 1246	6	SD	8	5	150	39.0	86
<input type="checkbox"/> 1248	8	SD	195	39.0	86

*SD = Special Duty (Over 10,000 lbs.)

OUTLET:

- (TY) Ty-Seal (2", 3", 4", 6")
- (NH) No-Hub (3", 4", 6", 8")
- (IC) Inside Caulk (3", 4", 6")

OPTIONS

Suffix	Description
<input type="checkbox"/> TD	Sediment Bucket, Supports Grate
<input type="checkbox"/> 1	Nickel Bronze Veneer Top
<input type="checkbox"/> 5	Vandal Proof (Standard on NB)
<input type="checkbox"/> 8	Secondary Strainer
<input type="checkbox"/> 23	Grate Riser Each 2" High
<input type="checkbox"/> 27	Sediment Bucket, Aluminum
<input type="checkbox"/> 39	Galvanized Iron Parts
<input type="checkbox"/> 179	Security Screws

For Optional Funnels, see page 3-2