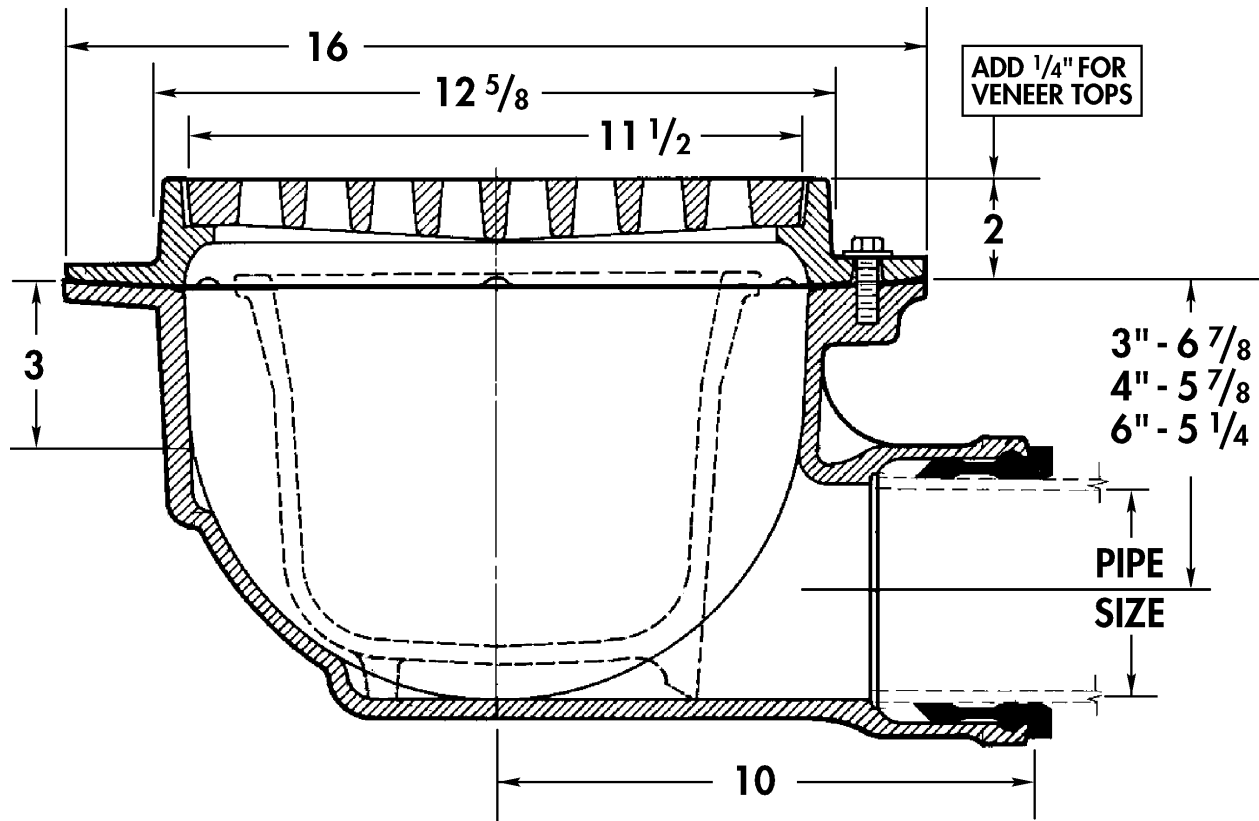


Side Outlets Floor Drains

WADE

1230 Cast iron side outlet floor drain with flange, integral clamping collar and ductile iron loose set tractor grate and plugged 1/2" primer tap.



Cat. No.	Pipe Size	ANSI* Load Class	Flow Rate (GPM)	Free Area Sq. In.	Wt. Lbs.
<input type="checkbox"/> 1233	3	SD	71	39.0	70
<input type="checkbox"/> 1234	4	SD	104	39.0	70
<input type="checkbox"/> 1236	6	SD	150	39.0	70

*SD = Special Duty (Over 10,000 lbs.)

OUTLETS

(TY) Ty-Seal

OPTIONS

Suffix	Description
<input type="checkbox"/> PG	Parking Garage
<input type="checkbox"/> TD	Sediment Bucket, Supports Grate
<input type="checkbox"/> 1	Nickel Bronze Veneer Top
<input type="checkbox"/> 5	Vandal Proof (Standard on NB)
<input type="checkbox"/> 8	Secondary Strainer
<input type="checkbox"/> 18	Solid Cover Package (DI Only)
<input type="checkbox"/> 23	Grate Riser Each 2" High
<input type="checkbox"/> 27	Sediment Bucket, Aluminum
<input type="checkbox"/> 179	Security Screws

For Optional Funnel, see page 3-2