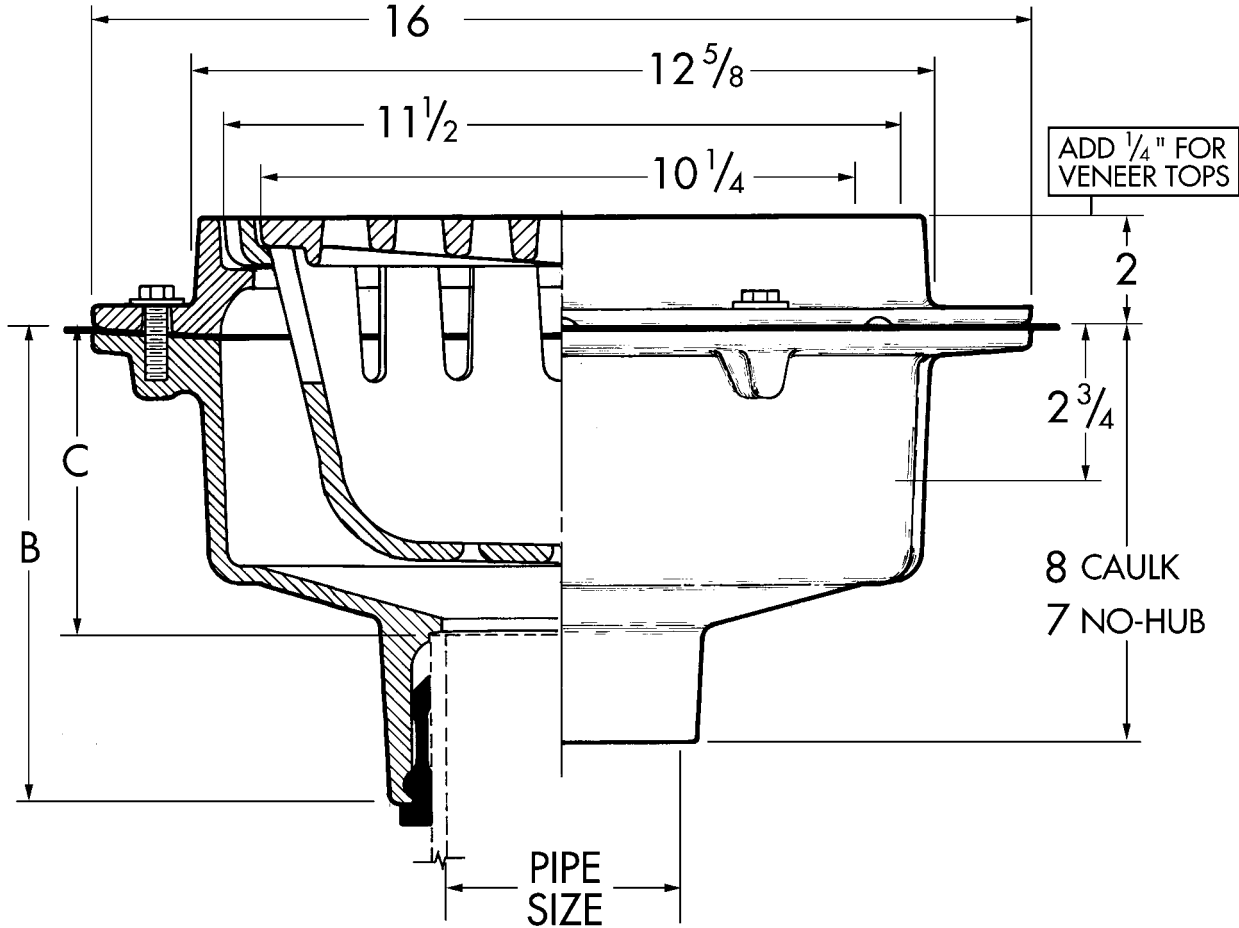


# Medium Sump Floor Drains



**1210TD** Cast iron medium depth floor drain with 1/2" plugged primer tap, flange, integral clamping collar and ductile iron loose set tractor grate.



Cat. No.	Pipe Size	B Ty-Seal	C	ANSI* Load Class	Flow Rate (GPM)	Free Area Sq. In.	Wt. Lbs.
<input type="checkbox"/> 1212TD	2	8	5 1/2	SD	38	39.0	66
<input type="checkbox"/> 1213TD	3	8	5 1/4	SD	71	39.0	66
<input type="checkbox"/> 1214TD	4	8 1/4	5 1/4	SD	104	39.0	66
<input type="checkbox"/> 1216TD	6	8	5	SD	150	39.0	66
<input type="checkbox"/> 1218TD	8	...	...	SD	195	39.0	66

\*SD = Special Duty (Over 10,000 lbs.)

**OUTLET:**

- ( TY) Ty-Seal (2", 3", 4", 6")
- ( NH) No-Hub (3", 4", 6", 8")
- ( IC) Inside Caulk (3", 4", 6")

**OPTIONS**

Suffix	Description
<input type="checkbox"/> 1	Nickel Bronze Veneer Top
<input type="checkbox"/> 5	Vandal Proof (Standard on NB)
<input type="checkbox"/> 8	Secondary Strainer
<input type="checkbox"/> 18	Solid Cover Package
<input type="checkbox"/> 23	Grate Riser Each 2" High
<input type="checkbox"/> 27	Sediment Bucket, Aluminum
<input type="checkbox"/> 31	Backwater Valve
<input type="checkbox"/> 39	Galvanized Iron Parts
<input type="checkbox"/> 179	Security Screws

For Optional Funnel, see page 3-2