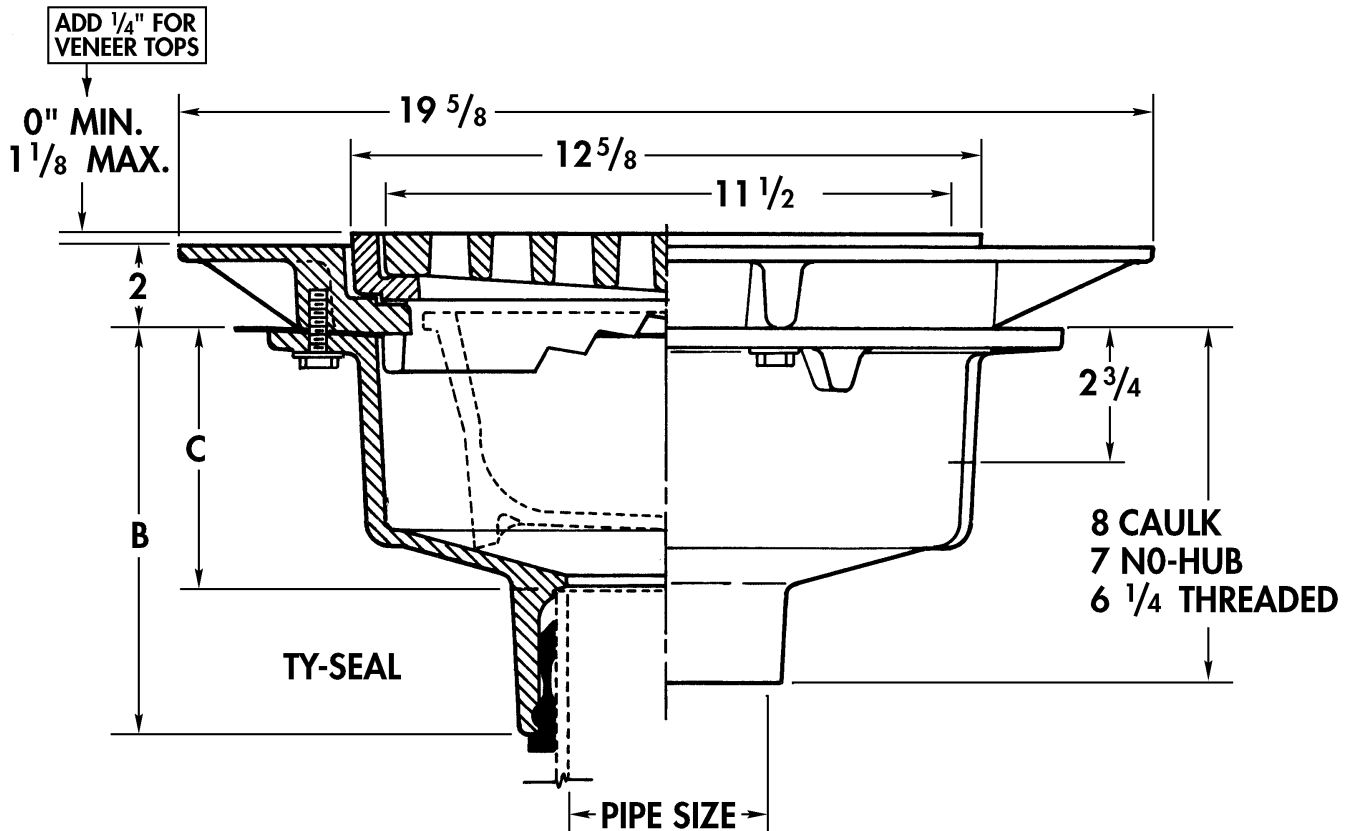


Wide Flange Floor Drains



1210E Cast iron floor drain with wide latex troweling flange, adjustable collar, medium sump bottom outlet, integral clamp device, ductile iron loose set tractor grate and 1/2" trap primer connection (plugged).



Cat. No.	Pipe Size	B Ty-Seal	C	ANSI* Load Class	Flow Rate (GPM)	Free Area Sq. In.	Wt. Lbs.
<input type="checkbox"/> 1212E	2	8	5 1/4	SD	38	39.0	86
<input type="checkbox"/> 1213E	3	8	5 1/4	SD	71	39.0	86
<input type="checkbox"/> 1214E	4	8 1/4	5 1/4	SD	104	39.0	86
<input type="checkbox"/> 1216E	6	8	5	SD	150	39.0	86
<input type="checkbox"/> 1218E	8	SD	195	39.0	86

*SD = Special Duty (Over 10,000 lbs.)

OPTIONS

Suffix	Description
<input type="checkbox"/> 1	Nickel Bronze Veneer Top
<input type="checkbox"/> 5	Vandal Proof (Standard on NB)
<input type="checkbox"/> 8	Secondary Strainer
<input type="checkbox"/> 18	Solid Cover Package (D.I. Only)
<input type="checkbox"/> 23	Grate Riser Each 2" High
<input type="checkbox"/> 27	Sediment Bucket, Aluminum
<input type="checkbox"/> 31	Backwater Valve
<input type="checkbox"/> 179	Security Screws

For Optional Funnels, see page 3-2

OUTLET:

- (TY) Ty-Seal (2", 3", 4", 6")
- (NH) No-Hub (3", 4", 6", 8")
- (IC) Inside Caulk (3", 4", 6")