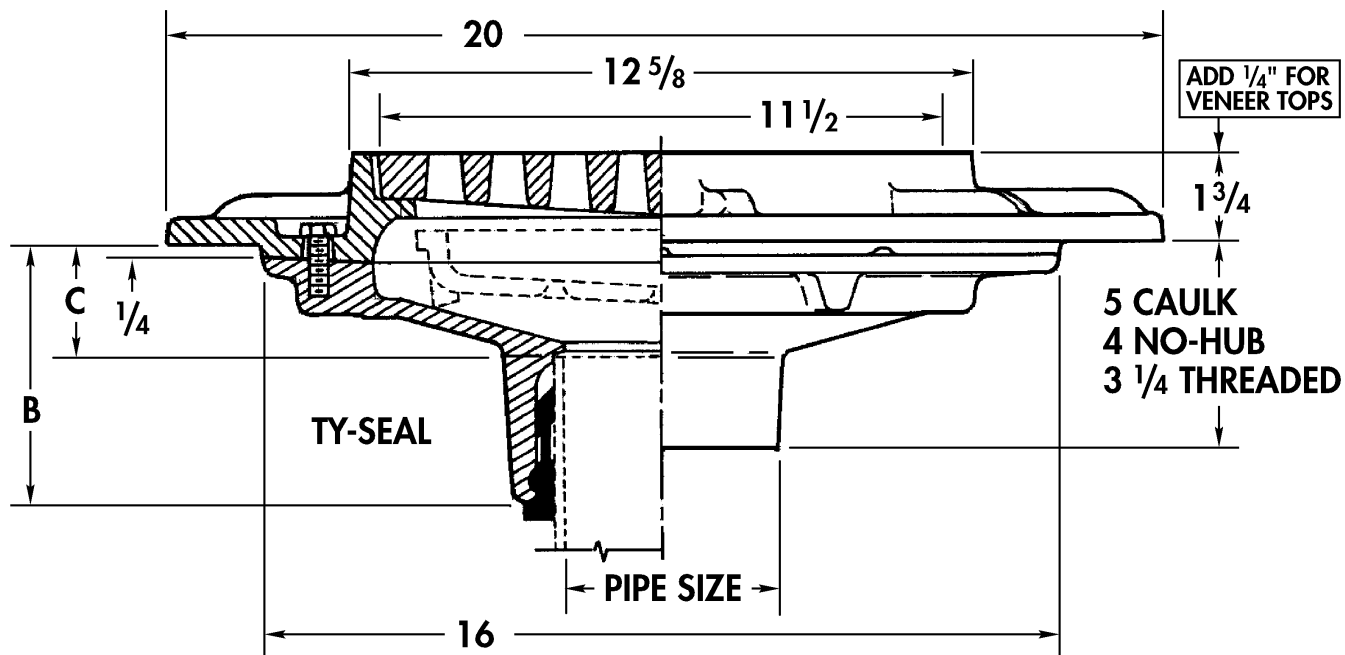


Parking Deck Floor Drains

WADE

1200PG Cast iron parking deck drain with support flange, shallow sump bottom outlet, integral membrane clamp, ductile iron loose set tractor grate and 1/2" trap primer connection (plugged).



Cat. No.	Pipe Size	B Ty-Seal	C	ANSI* Load Class	Flow Rate (GPM)	Free Area Sq. In.	Wt. Lbs.
<input type="checkbox"/> 1202PG	2	4 3/4	2 1/4	SD	37	39.0	75
<input type="checkbox"/> 1203PG	3	4 3/4	2	SD	70	39.0	75
<input type="checkbox"/> 1204PG	4	5	2	SD	102	39.0	75
<input type="checkbox"/> 1206PG	6	4 3/4	1 3/4	SD	140	39.0	75
<input type="checkbox"/> 1208PG	8	SD	175	39.0	75
<input type="checkbox"/> 1209PG	10	SD	180	39.0	75

*SD = Special Duty (Over 10,000 lbs.)

OUTLET:

- (TY) Ty-Seal (2", 3", 4", 6")
- (NH) No-Hub (3", 4", 6", 8", 10")
- (IC) Inside Caulk (3", 4", 6")

OPTIONS

Suffix	Description
<input type="checkbox"/> 1	Nickel Bronze Veneer Top
<input type="checkbox"/> 5	Vandal Proof (Standard on NB)
<input type="checkbox"/> 8	Secondary Strainer
<input type="checkbox"/> 18	Solid Cover Package (D.I. Only)
<input type="checkbox"/> 23	Grate Riser Each 2" High
<input type="checkbox"/> 27	Sediment Bucket, Aluminum
<input type="checkbox"/> 31	Backwater Valve
<input type="checkbox"/> 179	Security Screws

For Optional Funnels, see page 3-2