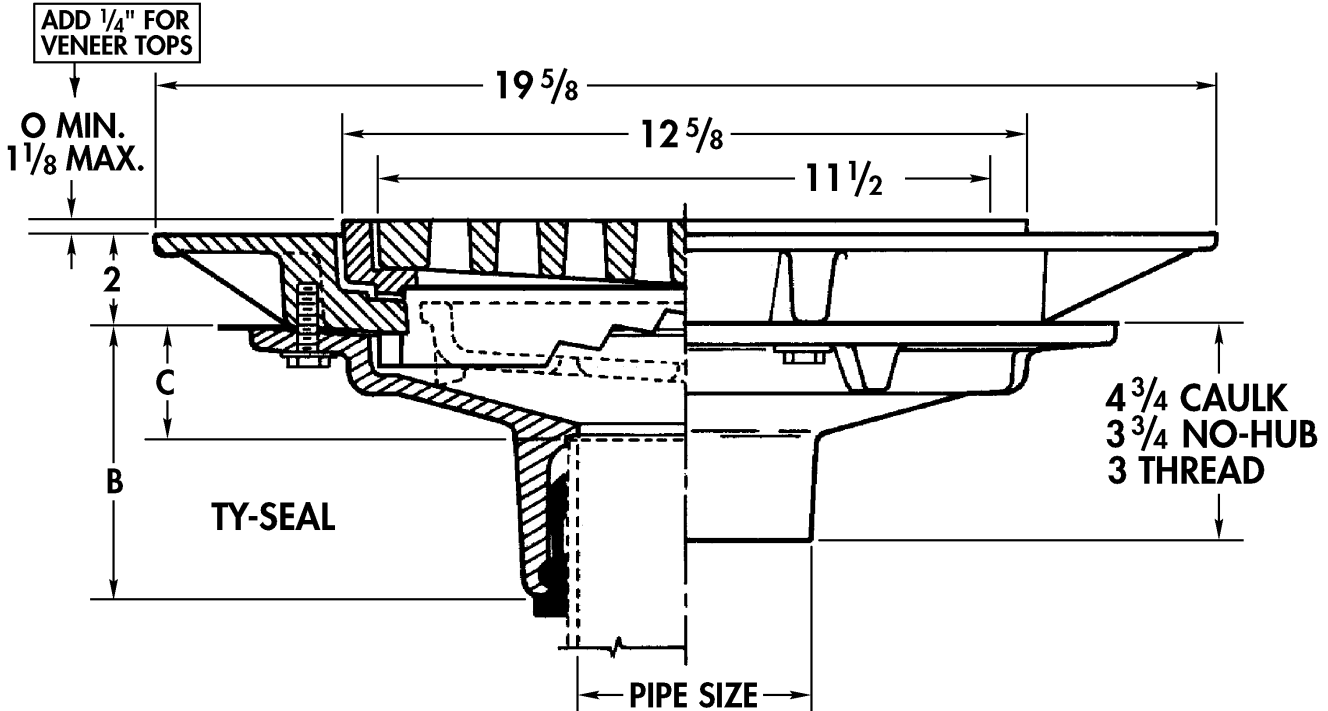


Wide Flange Floor Drains

WADE

1200E Cast iron floor drain with wide latex troweling flange, adjustable collar, integral clamp device, shallow sump bottom outlet, ductile iron loose set tractor grate, and 1/2" trap primer connection (plugged).



Cat. No.	Pipe Size	B Ty-Seal	C	ANSI* Load Class	Flow Rate (GPM)	Free Area Sq. In.	Wt. Lbs.
<input type="checkbox"/> 1202E	2	4 3/4	2 1/4	SD	37	39.0	71
<input type="checkbox"/> 1203E	3	4 3/4	2	SD	70	39.0	71
<input type="checkbox"/> 1204E	4	5	2	SD	102	39.0	71
<input type="checkbox"/> 1206E	6	4 3/4	1 3/4	SD	140	39.0	71
<input type="checkbox"/> 1208E	8	SD	175	39.0	71
<input type="checkbox"/> 1209E	10	SD	180	39.0	71

*SD = Special Duty (Over 10,000 lbs.)

OUTLET:

- (TY) Ty-Seal (2", 3", 4", 6")
- (NH) No-Hub (3", 4", 6", 8", 10")
- (IC) Inside Caulk (3", 4", 6")

OPTIONS

- | Suffix | Description |
|------------------------------|-------------------------------|
| <input type="checkbox"/> 1 | Nickel Bronze Veneer Top |
| <input type="checkbox"/> 5 | Vandal Proof (Standard on NB) |
| <input type="checkbox"/> 8 | Secondary Strainer |
| <input type="checkbox"/> 18 | Solid Cover Package (DI Only) |
| <input type="checkbox"/> 27 | Sediment Bucket, Aluminum |
| <input type="checkbox"/> 31 | Backwater Valve |
| <input type="checkbox"/> 179 | Security Screws |