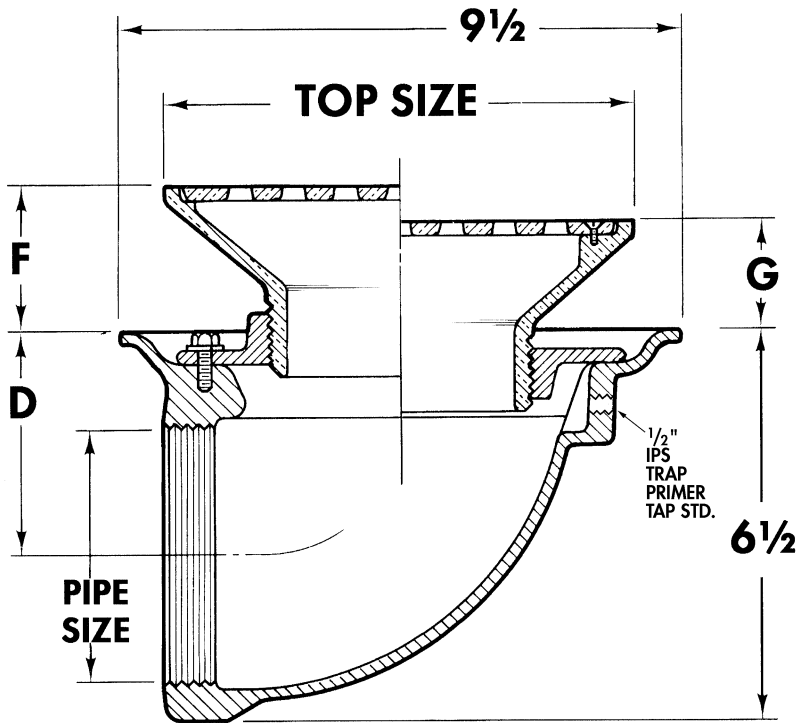


Floor Drains with Side Outlets



1160 Cast iron threaded 90° side outlet floor drain with integral clamping collar, seepage openings, 1/2" plugged primer tap and _____ " dia. nickel bronze strainer with vandal proof screws.



Cat. No.	Pipe Size	Top Size	ANSI* Load Class	Flow Rate (GPM)	Free Area Sq. In.	Wt. Lbs.	D	F		G	
								Min.	Max.	Min.	Max.
<input type="checkbox"/> 1162IP, STD5	2	5	L.D.	14	5.8	16	4 3/4	1 3/8	2 1/8	7/8	1 1/2
<input type="checkbox"/> 1162IP, STD6	2	6	L.D.	21	7.7	17	4 3/4	1 5/8	2 1/4	1	1 5/8
<input type="checkbox"/> 1163IP, STD5	3	5	L.D.	20	5.8	17	4 1/4	1 3/8	2 1/8	7/8	1 1/2
<input type="checkbox"/> 1163IP, STD6	3	6	L.D.	27	7.7	17	4 1/4	1 5/8	2 1/4	1	1 5/8
<input type="checkbox"/> 1163IP, STD7	3	7	L.D.	33	10.6	18	4 1/4	1 5/8	2 1/8	1	1 1/2
<input type="checkbox"/> 1163IP, STD8	3	8	L.D.	40	14.0	19	4 1/4	1 5/8	2 1/4	1 1/8	1 5/8
<input type="checkbox"/> 1164IP, STD7	4	7	L.D.	43	10.6	22	3 3/4	1 5/8	2 1/8	1	1 1/2
<input type="checkbox"/> 1164IP, STD8	4	8	L.D.	57	14.0	24	3 3/4	1 5/8	2 1/4	1 1/8	1 5/8

For optional strainers see pages 3-12, 3-15.

*L.D.= Light Duty (Under 2000 lbs.)

OPTIONS

Suffix	Description
<input type="checkbox"/> 27	Sediment Bucket
<input type="checkbox"/> 31	Backwater Valve
<input type="checkbox"/> 39	Galvanized Iron Parts
<input type="checkbox"/> 94	Extension Adaptor
<input type="checkbox"/> 94	Extension Adaptor, Galvanized
<input type="checkbox"/> 179	Security Screws
<input type="checkbox"/> EF4	4" Dia. Funnel
<input type="checkbox"/> EF6	6" Dia. Funnel
<input type="checkbox"/> EG6	2 1/2 x 6 1/8 Elongated Funnel (NB Only)
<input type="checkbox"/> EG8	3 1/2 x 8 1/4 Elongated Funnel (Type EG Requires 6" Dia. Strainer Min.)

OUTLET:

Thread Only